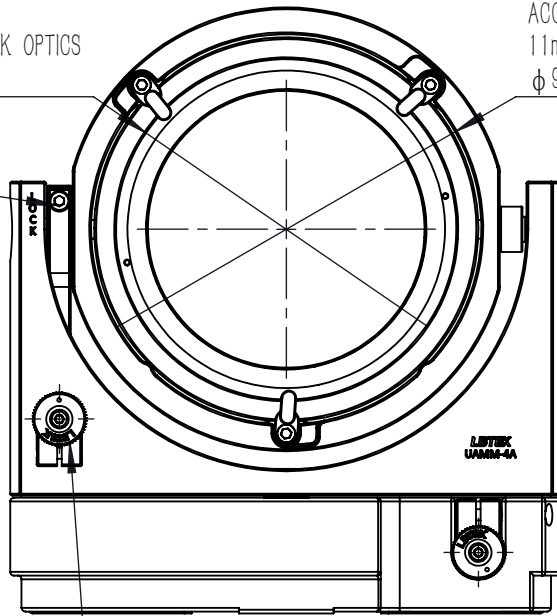


ACCEPTS $\phi 76.2\text{mm}$ [3.00in]
 5.5mm [0.22in]–17mm [0.67in] THICK OPTICS
 $\phi 69\text{mm}$ [2.72in] CLEAR APERTUR

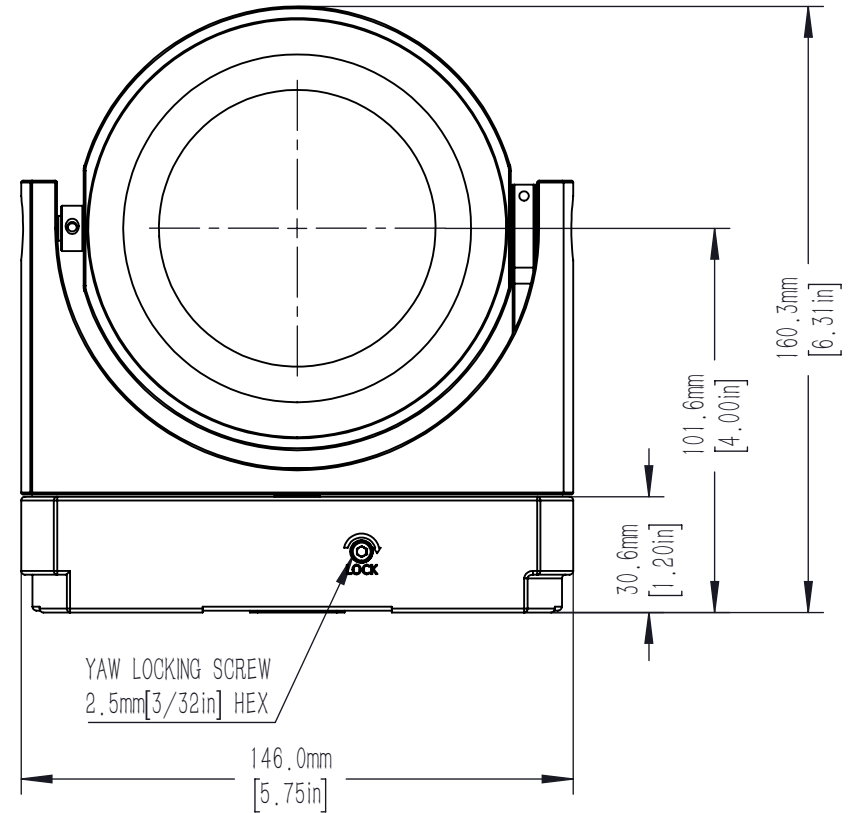
ACCEPTS $\phi 101.6\text{mm}$ [3.00in]
 11mm [0.43in]–22mm [0.86in] THICK OPTICS
 $\phi 92\text{mm}$ [3.62in] CLEAR APERTUR

PITCH LOCKING SCREW
 2.5mm [3/32in] HEX



M6X0.25 ADJUSTER SCREWS
 PROVIDES +/-5° TOTAL ANGULAR
 DISPLACEMENT (0.29° PER REVOLUTION)
 2 PLACES
 2.0mm [5/64in] HEX

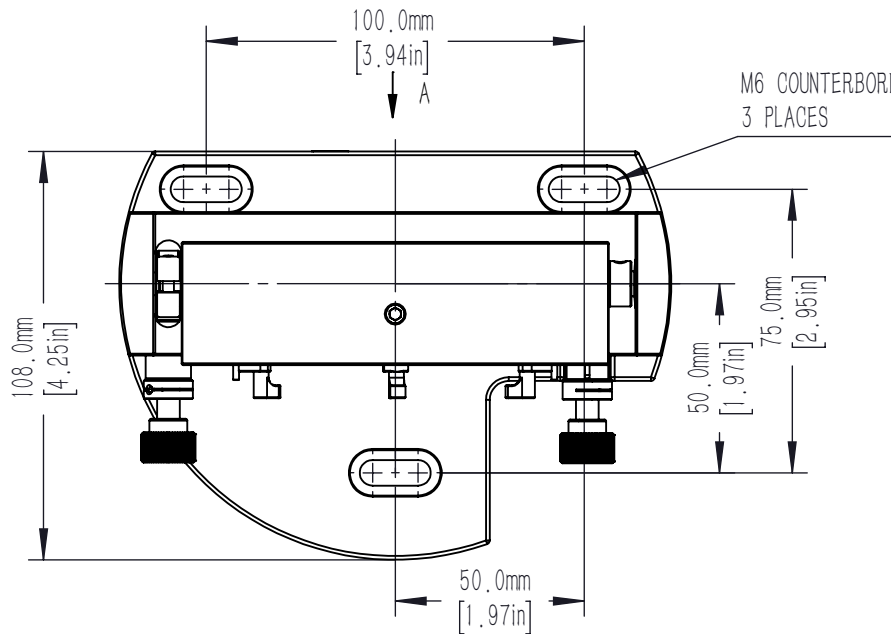
视图 A
 $\curvearrowright 180.00^\circ$



YAW LOCKING SCREW
 2.5mm [3/32in] HEX

100.0mm
 [3.94in]
 A

M6 COUNTERBORE
 3 PLACES



DRAWING PROJECTION			LBTEK			
	NAME	DATE				
DRAWN	ZLI	MAY./31th/24	2-AXIS UNIVERSAL MIRROR MOUNT FOR $\phi 101.6\text{mm}$ AND $\phi 76.2\text{mm}$ OPTICS			
APPROVAL	DHE	MAY./31th/24	MATERIAL	WEIGHT	SCALE	REV
FOR INFORMATION ONLY NOT FOR MANUFACTURING PURPOSES			N/A	1.730 Kg	1:2	A