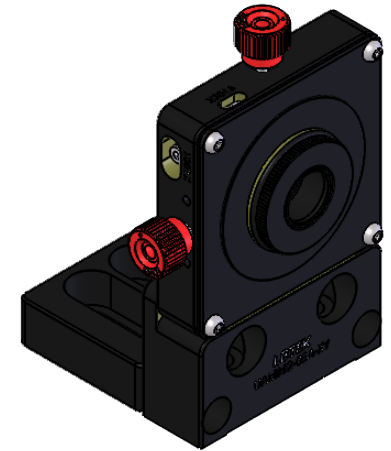


M5X0.25 LOCKABLE ADJUSTER SCREWS
 PROVIDES +/- 1.6mm TOTAL X/Y DISPLACEMENT
 (0.25mm PER REVOLUTION)
 2 PLACES
 2.0mm [5/64in] HEX



DRAWING PROJECTION			LBTEK			
NAME	DATE	UAMM2-05A-XY				
DRAWN	CZH	NOV./23th/23	2-AXIS MIRROR MOUNT			
APPROVAL	HDE	NOV./23th/23	MATERIAL	WEIGHT	SCALE	REV
FOR INFORMATION ONLY NOT FOR MANUFACTURING PURPOSES			N/A	0.156 Kg	2.3	B