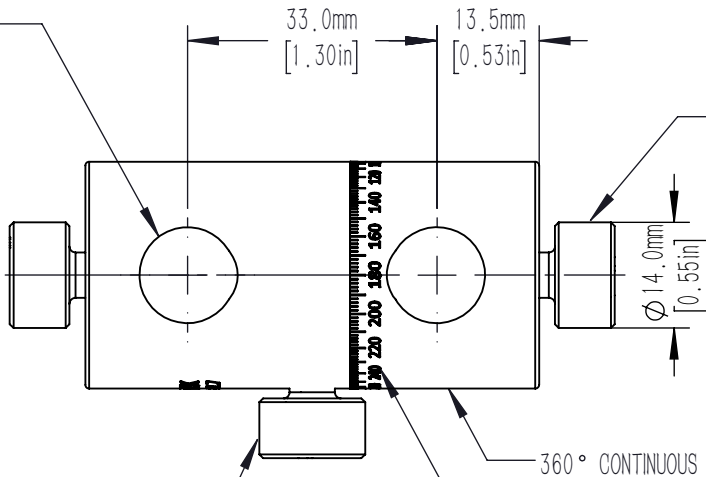


Ø 12.8mm [0.50in] ACCEPTS
STANDARD OP SERIES POSTS
2 PLACES



Ø 14mm [0.55in] KNURLED THUMBSCREW
FOR SECURING OF OP SERIES POSTS
5.0mm [0.20in] HEX
BOTH SIDES

Ø 14mm [0.55in] KNURLED THUMBSCREW
FOR LOCK ROTATION MOUNT
5.0mm [0.20in] HEX

360° CONTINUOUS COURSE ADJUSTMENT

ENGRAVED NUMERIC PER 20°
2° RESOLUTION

DRAWING PROJECTION			LBTEK			
	NAME	DATE				
DRAWN	CZH	DEC./03th/20	UNIVERSAL ANGLE POST CLAMP			
APPROVAL	YCH	DEC./03th/20	MATERIAL	WEIGHT	SCALE	REV
FOR INFORMATION ONLY NOT FOR MANUFACTURING PURPOSES			N/A	0.105 Kg	1:1	C