

3 × M3 COUNTERSUNK HEAD MOUNTING HOLE

Ø 15.0mm
[0.59in]

33.5mm
[1.32in]

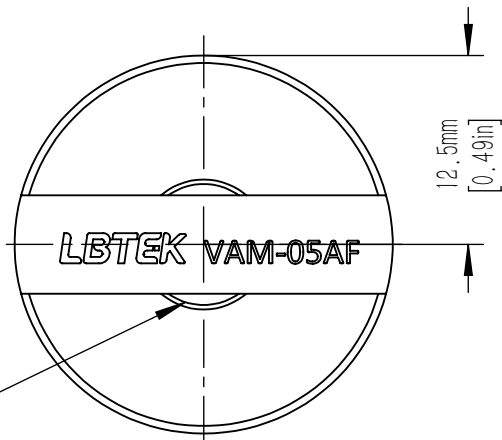
21.0mm
[0.83in]

17.5mm
[0.69in]

12.0mm
[0.47in]

17.4mm
[0.69in]

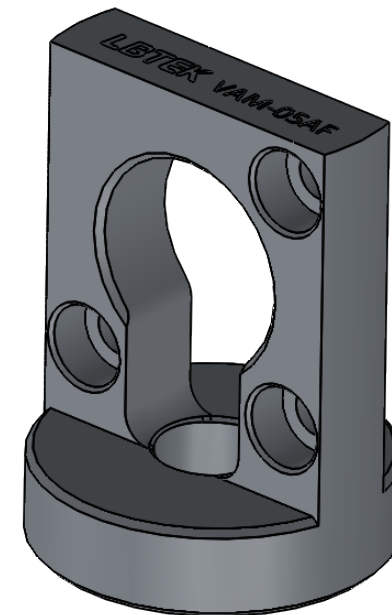
Ø 25.0mm
[0.98in]



12.5mm
[0.49in]

LBTEK VAM-05AF

M4 COUNTERSUNK MOUNTING HOLE



DRAWING PROJECTION			LBTEK			
NAME	DATE	VAM-05AF				
DRAWN	SSO	FEB./8th/23	12.7 mm OPTICS FLEXIBLE VERTICAL ADJUSTMENT MOUNT ADAPTER MOUNT			
APPROVAL	ZXU	FEB./8th/23	MATERIAL	WEIGHT	SCALE	REV
FOR INFORMATION ONLY NOT FOR MANUFACTURING PURPOSES			N/A	0.042 Kg	2:1	B