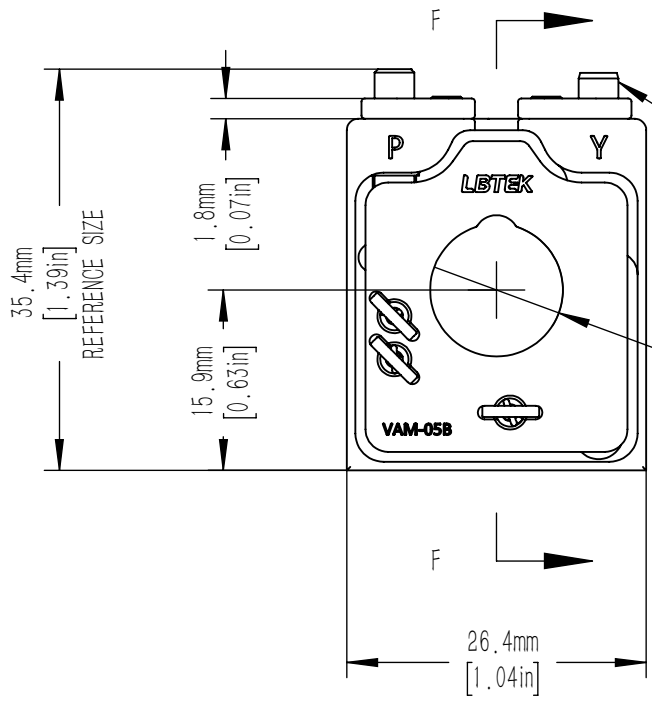
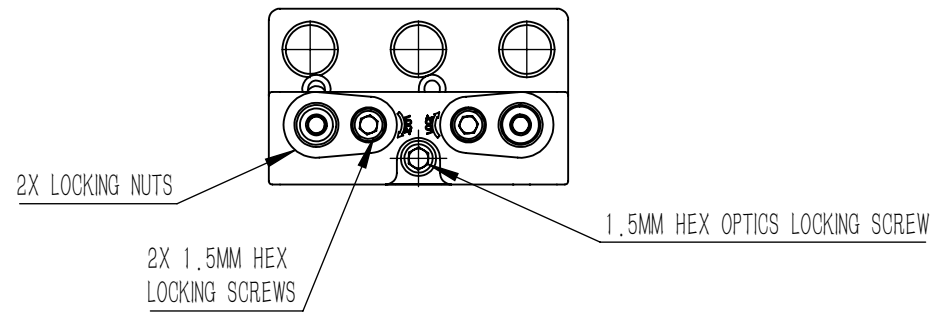
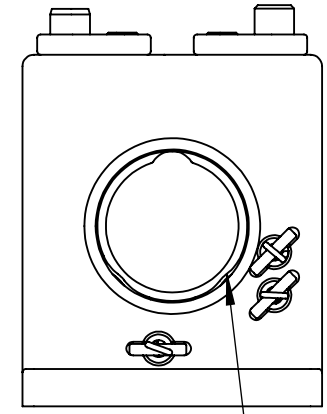
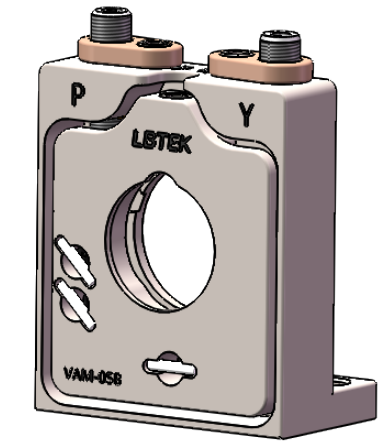
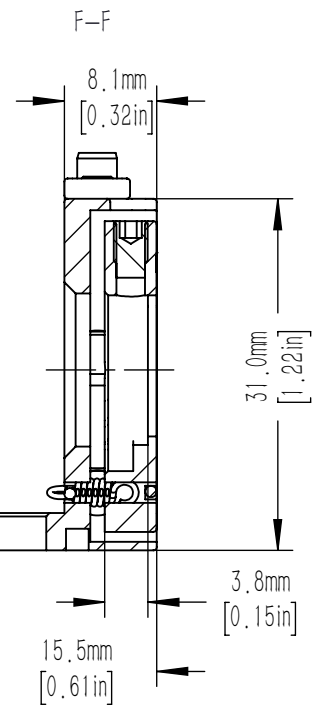


M3.5 x 0.25 ADJUSTER SCREWS
 PROVIDES $\pm 2.5^\circ$
 PITCH ANGLE DISPLACEMENT
 (0.52° PER REVOLUTION)
 YAW ANGLE DISPLACEMENT
 (0.46° PER REVOLUTION)
 2 PLACES
 1.5mm [0.08in] HEX
 (INCLUDED HWS-1.5)



$\text{D}\text{O}11.7\text{mm}$
 [0.46in]
 (CLEAR APERTURE)



DRAWING PROJECTION				<h1 style="text-align: center;">LBTEK</h1>			
DRAWN	SSO	OCT./25th/23	$\text{D}\text{O}12.7\text{mm}$ STAINLESS STEEL VERTICAL ADJUSTMENT FRAME (INDUSTRIAL GRADE)				
APPROVAL	ZXU	OCT./25th/23	MATERIAL	WEIGHT	SCALE	REV	
FOR INFORMATION ONLY NOT FOR MANUFACTURING PURPOSES			STAINLESS STEEL	0.038 Kg	3:2	B	