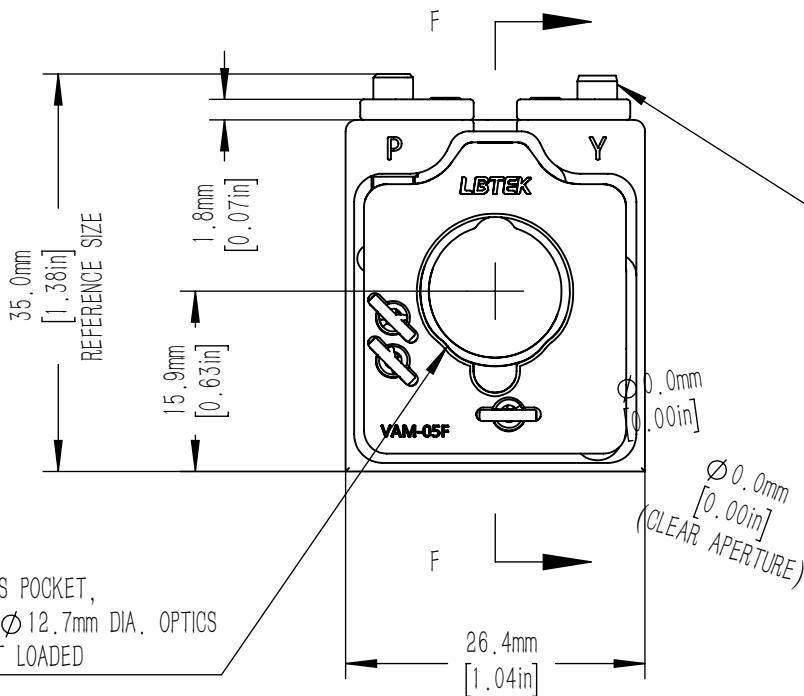
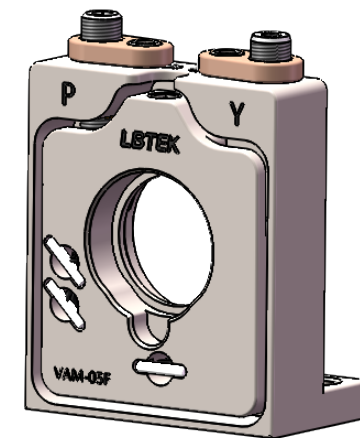
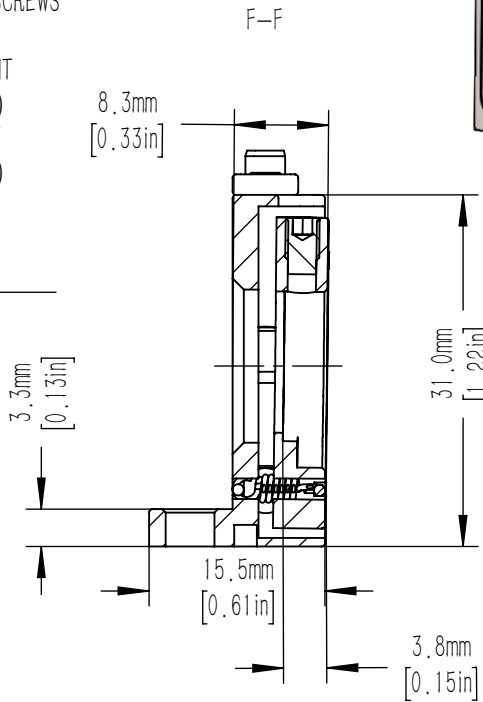
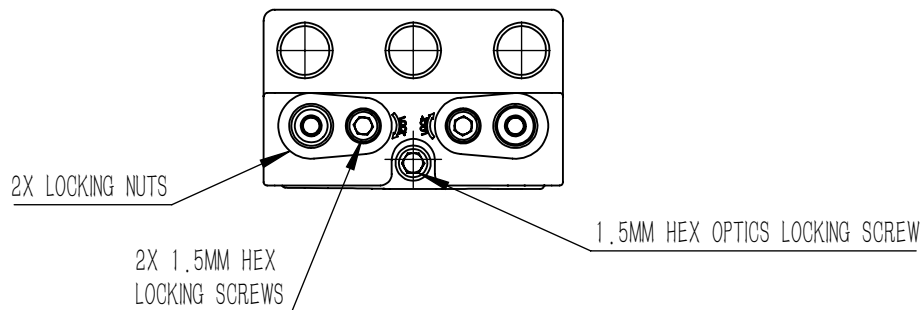


M3.5 x 0.25 ADJUSTER SCREWS  
PROVIDES +/- 2.5°  
PITCH ANGLE DISPLACEMENT  
(0.52° PER REVOLUTION)  
YAW ANGLE DISPLACEMENT  
(0.46° PER REVOLUTION)  
2 PLACES  
1.5mm [0.08in] HEX  
(INCLUDED HWS-1.5)



OPTICS POCKET,  
FOR  $\varnothing 12.7\text{mm}$  DIA. OPTICS  
FRONT LOADED



DRAWING PROJECTION			<b>LBTEK</b>			
	NAME	DATE	VAM-05F			
DRAWN	SSO	OCT./25th/23	$\varnothing 12.7\text{MM}$ STAINLESS STEEL VERTICAL ADJUSTMENT FRAME (INDUSTRIAL GRADE)			
APPROVAL	ZXU	OCT./25th/23	MATERIAL	WEIGHT	SCALE	REV
FOR INFORMATION ONLY NOT FOR MANUFACTURING PURPOSES			STAINLESS STEEL	0.038 Kg	3:2	B