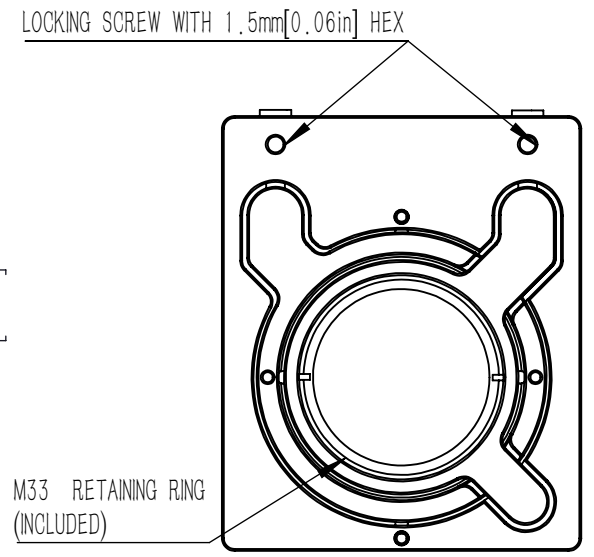
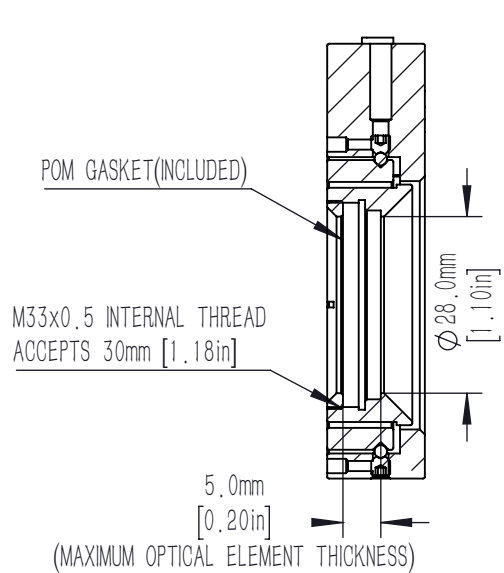
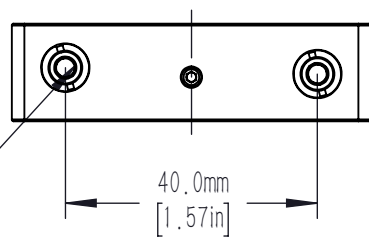


A-A



M5x0.25 NO KNURLED ADJUSTER SCREWS PROVIDED +/-1.2° PITCH ANGLE DISPLACEMENT (0.34° PER REVOLUTION)  
 YAW ANGLE DISPLACEMENT (0.4° PER REVOLUTION)  
 WITH LOCK SCREW 2 PLACES 3mm [0.12in] HEX (INCLUDED)



DRAWING PROJECTION			<b>LBTEK</b>			
NAME	DATE	VAM-1.2ADL				
DRAWN	ZZH	NOV./15th/23	NO KNURLED VERTICAL ADJUSTMENT MOUNT FOR φ 30 mm OPTICS			
APPROVAL	HDE	NOV./15th/23	MATERIAL	WEIGHT	SCALE	REV
FOR INFORMATION ONLY NOT FOR MANUFACTURING PURPOSES			N/A	0.053Kg	1:1.2	B