

M4x0.7 TAPPED HOLE
4mm [0.16in] THREAD DEPTH
2 PLACES

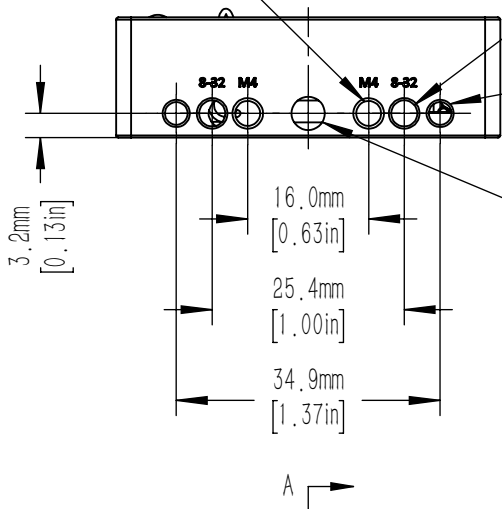
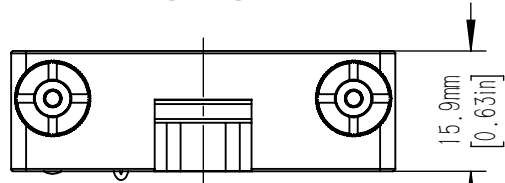
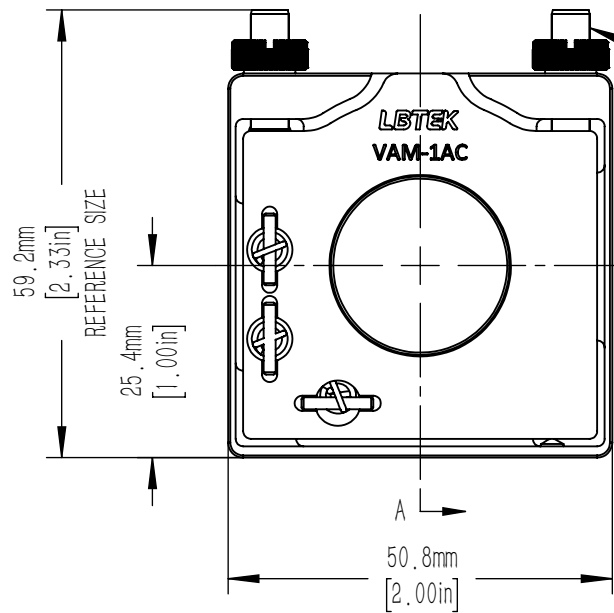
8-32 UNC TAPPED HOLE
4mm [0.16in] THREAD DEPTH
2 PLACES

Ø 3mm [0.12in] PIN HOLE
2 PLACES

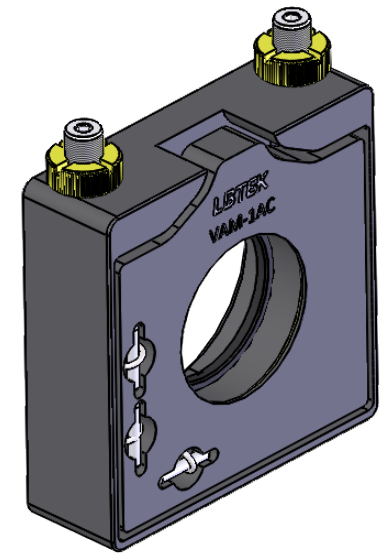
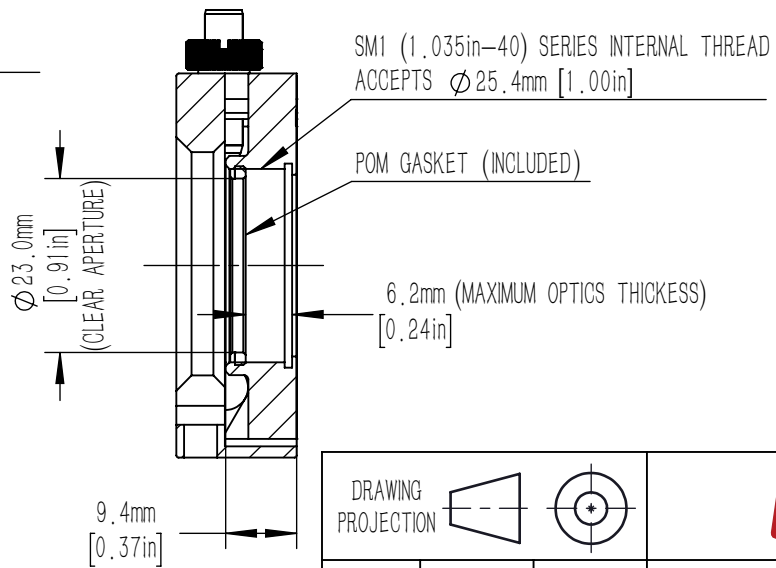
MOUNTING HOLE FOR USING WITH M4x0.7
SPECIAL MOUNTING SCREWS (INCLUDED)

M5x0.25 ADJUSTER SCREWS
PROVIDES +/- 2.5°
PITCH ANGLE DISPLACEMENT
(0.27° PER REVOLUTION)
YAW ANGLE DISPLACEMENT
(0.22° PER REVOLUTION)
WITH LOCK NUTS
2 PLACES

2mm [0.08in] HEX
(INCLUDED HWS-2)



A-A



DRAWING PROJECTION			LBTEK			
	NAME	DATE				
DRAWN	ZXU	DEC./14th/22	VERTICAL ADJUSTMENT MOUNT FOR Ø 25.4mm OPTICS			
APPROVAL	BJU	DEC./14th/22	MATERIAL	WEIGHT	SCALE	REV
FOR INFORMATION ONLY NOT FOR MANUFACTURING PURPOSES			N/A	0.080 Kg	1:1	B