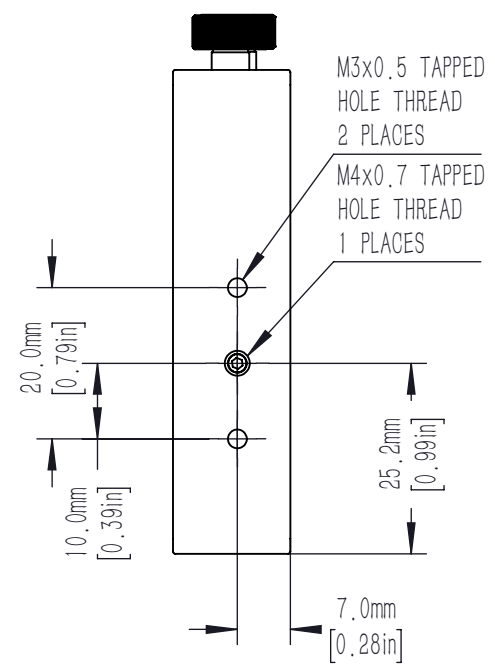
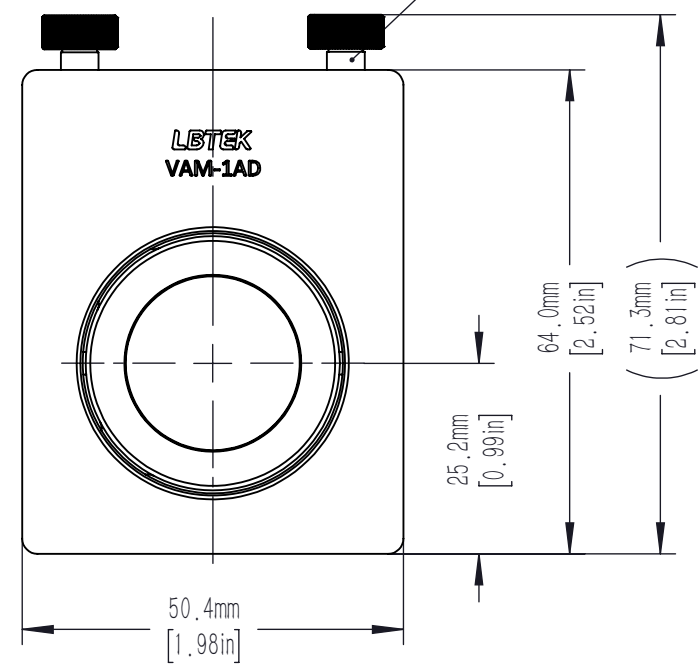
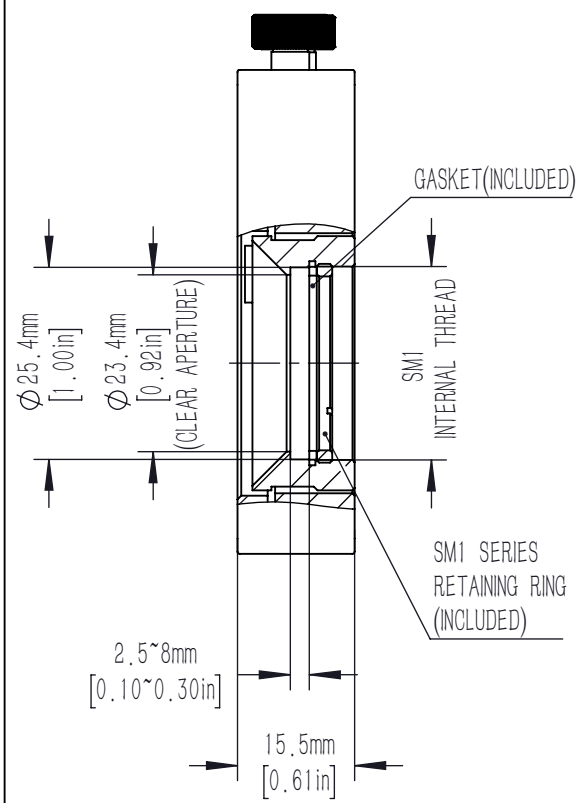


M5x0.25 ADJUSTER SCREWS PROVIDES $\pm 1.2^\circ$
 PITCH ANGLE DISPLACEMENT (0.35° PER REVOLUTION)
 YAW ANGLE DISPLACEMENT (0.47° PER REVOLUTION)
 WITH LOCK SCREW 2 PLACES 2mm [0.08in] HEX (INCLUDED)



DRAWING PROJECTION			LBTEK			
	NAME	DATE	VAM-1AD			
DRAWN	BJU	JUN./12th/23	VERTICAL ADJUSTMENT MOUNT FOR $\phi 25.4$ mm OPTICS			
APPROVAL	ZXU	JUN./12th/23	MATERIAL	WEIGHT	SCALE	REV
FOR INFORMATION ONLY NOT FOR MANUFACTURING PURPOSES			N/A	0.11 Kg	1:1	B