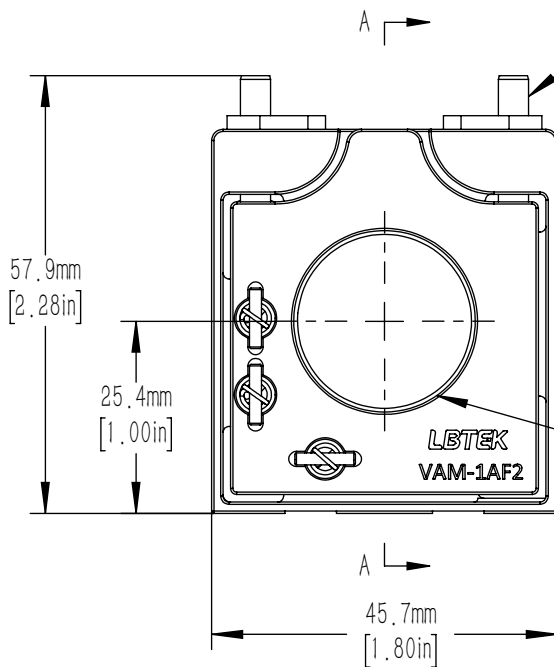
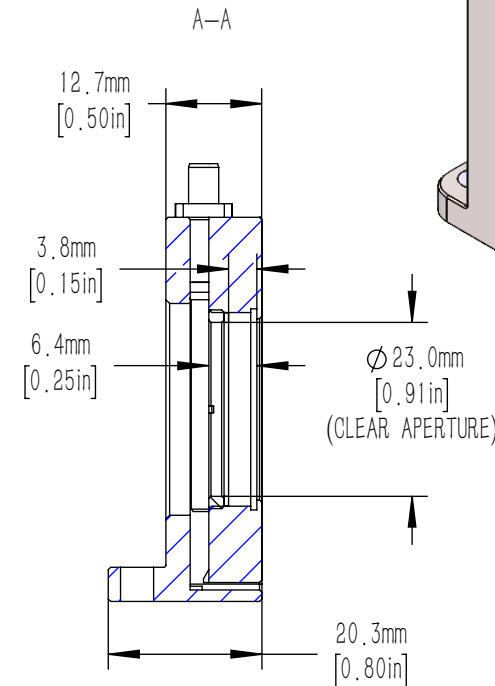
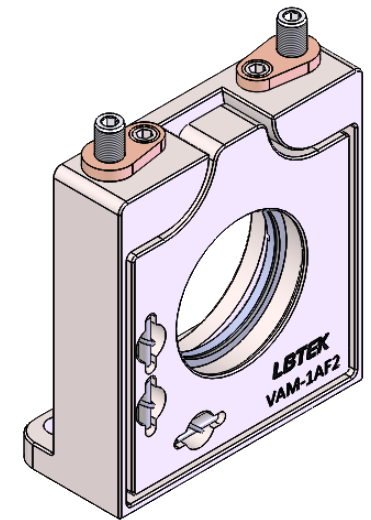
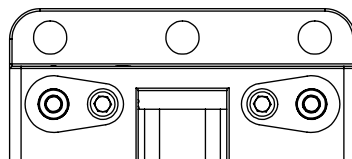


M4X0.25 ADJUSTER SCREWS  
PROVIDES  $\pm 3.0^\circ$  TOTAL ANGULAR DISPLACEMENT  
( $0.28^\circ$  &  $0.24^\circ$  PER REVOLUTION)  
WITH LOCKING STRUCTURE  
2 PLACES  
2.0mm [5/64IN] HEX



ACCEPTS  $\varnothing 25.4$ mm [ $\varnothing 1.0$ IN]  
MAX. 3.8mm [0.15IN] THICK OPTICS  
6.4mm [0.25IN] DEEP  
 $\varnothing 23.0$ mm [ $\varnothing 0.91$ IN] CLEAR APERTURE  
REAR MOUNTED OPTICS  
CLASP FIXATION OPTICS



DRAWING PROJECTION			<b>LBTEK</b>			
	NAME	DATE	VAM-1AF2			
DRAWN	HDE	Dec./8th/23	VERTICAL ADJUSTMENT MOUNT FOR $\varnothing 25.4$ mm OPTICS			
APPROVAL	BJU	Dec./8th/23	MATERIAL	WEIGHT	SCALE	REV
FOR INFORMATION ONLY NOT FOR MANUFACTURING PURPOSES			N/A	0.142 Kg	1:1	B