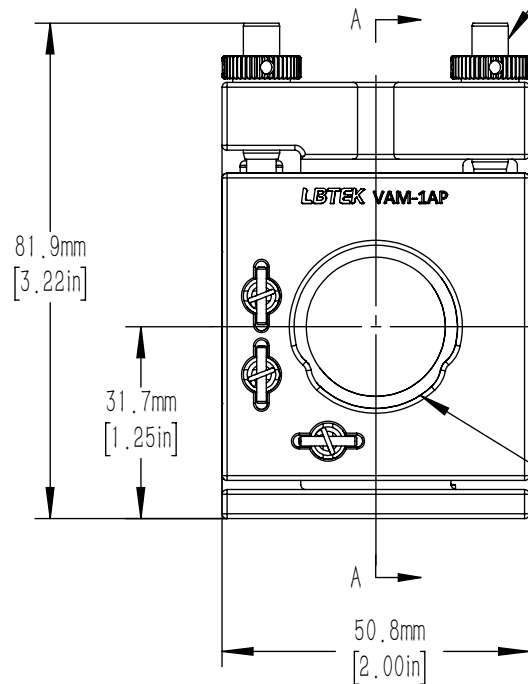
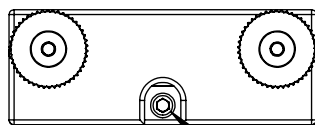


M6X0.25 ADJUSTER SCREWS
 PROVIDES +/-3.5° TOTAL ANGULAR DISPLACEMENT
 (0.36° PER REVOLUTION)
 WITH LOCK NUTS
 2 PLACES
 2.0mm [5/64IN] HEX

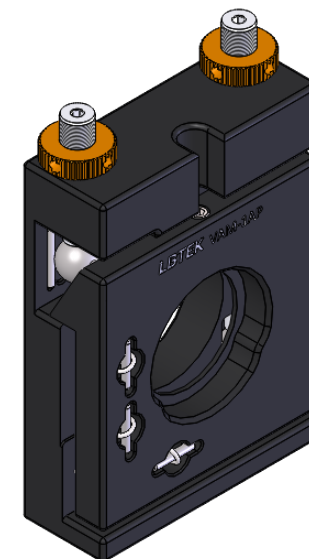
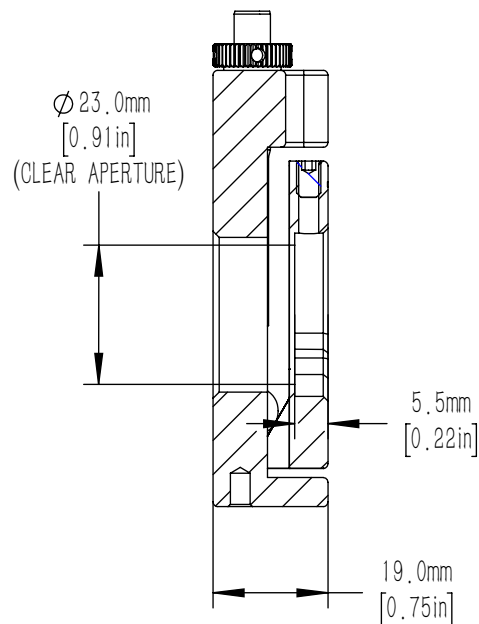


MOUNTING DOUBLE-BORE
 ACCEPTS ϕ 25.4mm [ϕ 1.0in]
 MINIMUM 2.5mm [0.098in] THICK OPTICS
 5.5mm [0.22in] DEEP
 ϕ 23.0mm [ϕ 0.9in] CLEAR APERTURE



POM-TIPPED SET SCREW
 FOR SECURING OF MOUNTED OPTIC
 2.0mm [5/64in] HEX

A-A



DRAWING PROJECTION			LBTEK			
	NAME	DATE				
DRAWN	HDE	SEP./8th/22	VERTICAL ADJUSTMENT MOUNT FOR ϕ 25.4mm OPTICS			
APPROVAL	ZXU	SEP./8th/22	MATERIAL	WEIGHT	SCALE	REV
FOR INFORMATION ONLY NOT FOR MANUFACTURING PURPOSES			ALUMINUM	0.145 Kg	4:5	B