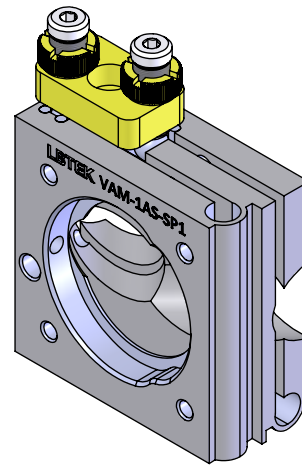


M5X0.2 ADJUSTER SCREWS
 PROVIDES +/-2.5° TOTAL ANGULAR DISPLACEMENT
 (0.18° PER REVOLUTION)
 WITH LOCK NUTS
 2 PLACES
 2.0mm HEX



DRAWING PROJECTION			LBTEK www.lbtek.com			
	NAME	DATE				
DRAWN	HDE	Nov./11th/22	RAO SEX WITH UNTHREADED HOLE FOR $\Phi 25.4\text{mm}$ OPTICS			
APPROVAL	ZXU	Nov./11th/22	MATERIAL	WEIGHT	SCALE	REV
FOR INFORMATION ONLY NOT FOR MANUFACTURING PURPOSES			STAINLESS STEEL	0.041 Kg	1:1	A