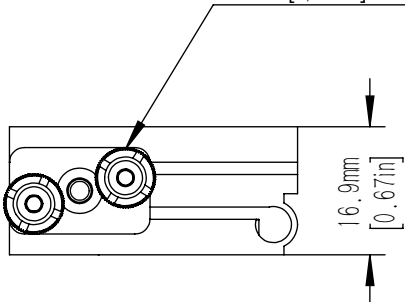


ACCEPTS 25.4mm [1.00in]
OPTICS 4.2mm [0.17in] DEE

M4X0.2 ADJUSTER SCREWS
PROVIDES +/-2.5° TOTAL ANGULAR DISPLACEMENT
(0.18° PER REVOLUTION)
2 PLACES
2.0mm [5/64in] HEX



DRAWING PROJECTION			LBTEK www.lbtek.com			
	NAME	DATE	VAM-1AS-SP2			
DRAWN	SSO	MAL./22nd/23	RAO SEX WITH UNTHREADED HOLE FOR Ø25.4mm OPTICS			
APPROVAL	ZXU	MAL./22nd/22	MATERIAL	WEIGHT	SCALE	REV
FOR INFORMATION ONLY NOT FOR MANUFACTURING PURPOSES			STAINLESS STEEL	0.044 Kg	1:1	A