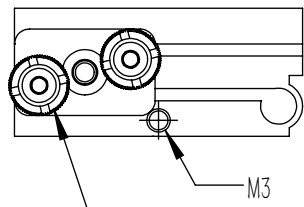
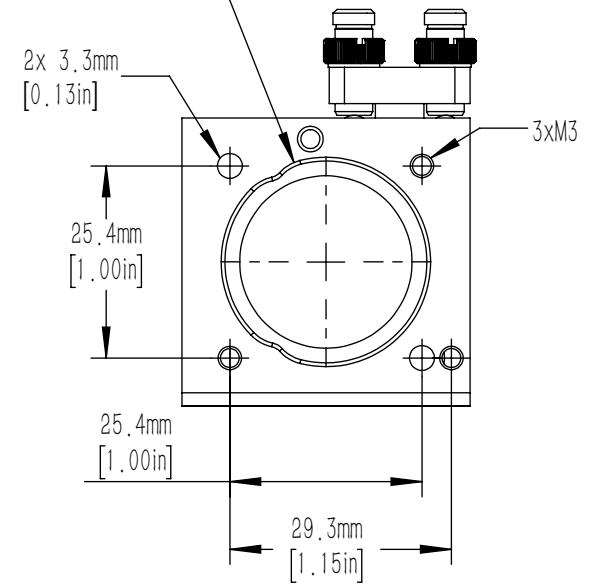
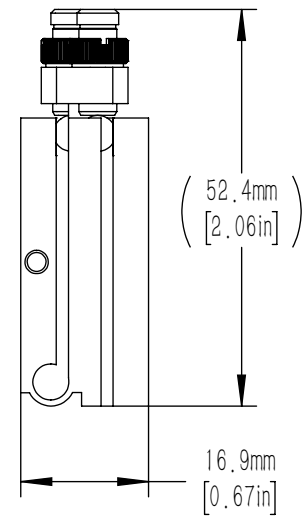
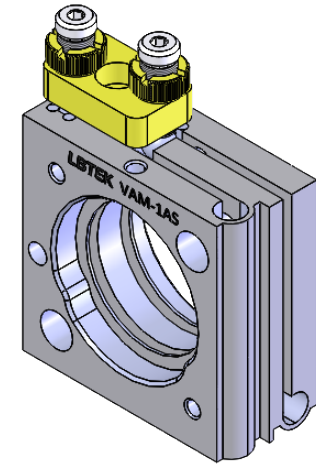


ACCEPTS 25.4mm [ 1.00in] OPTICS  
 4.2mm [0.17in] DEE  
 22.8mm [ 0.9in] CLEAR APERTUR



M5X0.2 ADJUSTER SCREWS  
 PROVIDES +/-2.5° TOTAL ANGULAR DISPLACEMENT  
 (0.18° PER REVOLUTION)  
 WITH LOCK NUTS  
 2 PLACES  
 2.0mm HEX



|  |      |              |   |          |       |     |
|--|------|--------------|---|----------|-------|-----|
| DRAWING PROJECTION                                     |      |              | <b>LBTEK</b>  |          |       |     |
|  | NAME | DATE         |   |          |       |     |
| DRAWN  | HDE  | SEP./15th/22 | RAO SEX WITH UNTHREADED HOLE FOR $\Phi$ 25.4mm OPTICS |          |       |     |
| APPROVAL   | ZXU  | SEP./15th/22 | MATERIAL  | WEIGHT   | SCALE | REV |
| FOR INFORMATION ONLY<br>NOT FOR MANUFACTURING PURPOSES |      |              | ALUMINUM  | 0.042 Kg | 1:1   | B   |