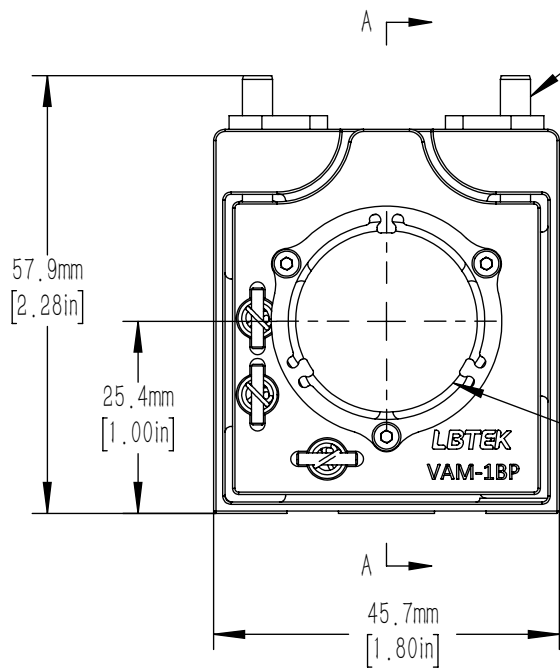
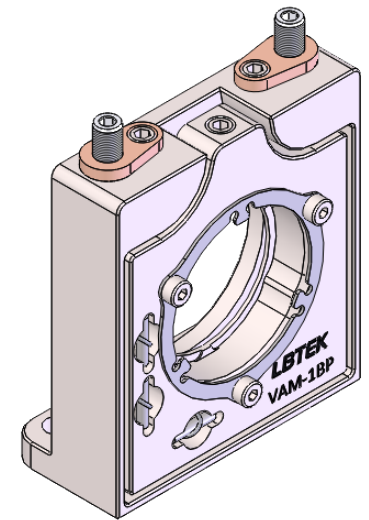
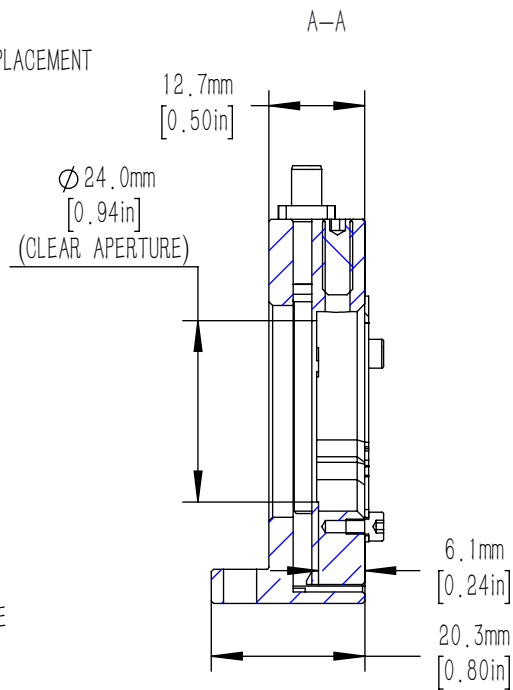
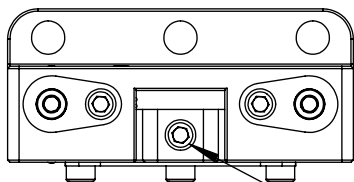


M4X0.25 ADJUSTER SCREWS
PROVIDES $\pm 3.0^\circ$ TOTAL ANGULAR DISPLACEMENT
(0.28° & 0.24° PER REVOLUTION)
WITH LOCKING STRUCTURE
2 PLACES
2.0mm [5/64IN] HEX



ACCEPTS \varnothing 25.4mm [\varnothing 1.0IN]
MINIMUM 2.5mm[0.098IN] THICK OPTICS
6.1mm [0.24IN] DEEP
OPTICAL ELEMENTS ARE DOUBLY FIXED
 \varnothing 24.0mm [\varnothing 0.94IN] CLEAR APERTURE



DRAWING PROJECTION			LBTEK			
	NAME	DATE				
DRAWN	HDE	Dec./8th/23	VERTICAL ADJUSTMENT MOUNT FOR \varnothing 25.4mm OPTICS			
APPROVAL	BJU	Dec./8th/23	MATERIAL	WEIGHT	SCALE	REV
FOR INFORMATION ONLY NOT FOR MANUFACTURING PURPOSES			N/A	0.140 Kg	1:1	B