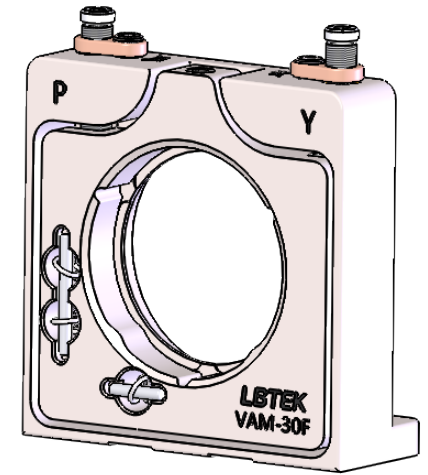
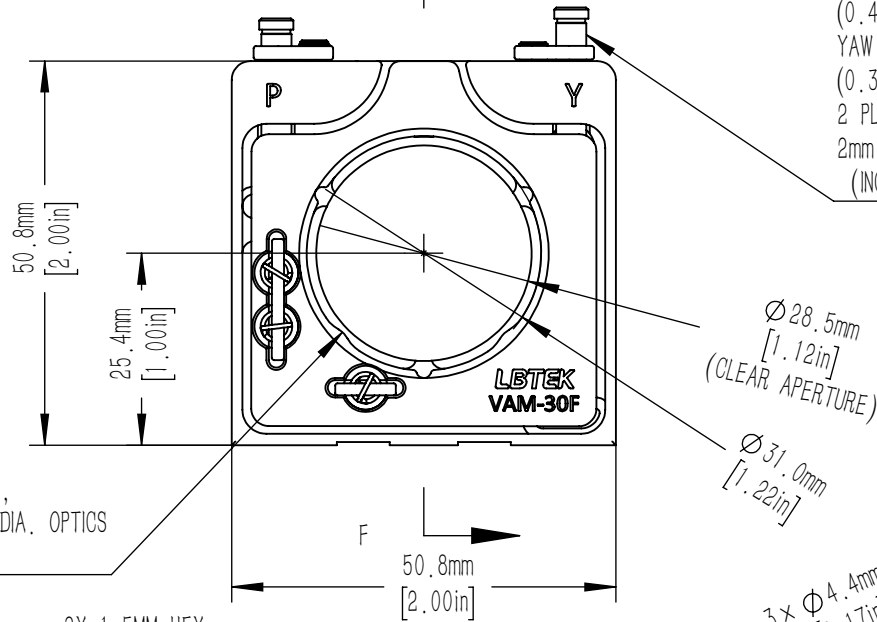
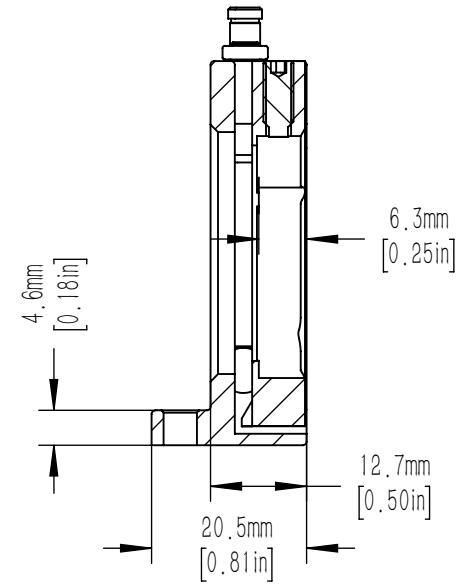


M4 x 0.25 ADJUSTER SCREWS PROVIDES +/-3° PITCH ANGLE DISPLACEMENT (0.46° PER REVOLUTION) YAW ANGLE DISPLACEMENT (0.37° PER REVOLUTION) 2 PLACES 2mm [0.08in] HEX (INCLUDED HWS-2)



F-F

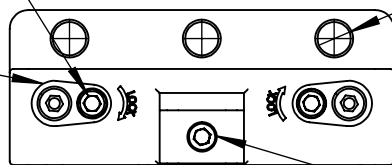


OPTICS POCKET, FOR $\varnothing 30\text{mm}$ DIA. OPTICS FRONT LOADED

3 x $\varnothing 4.4\text{mm}$ [0.17in] MOUNTING HOLE FOR USING WITH M4x0.7 SPECIAL MOUNTING SCREWS (INCLUDED)

2X 1.5MM HEX LOCKING SCREWS

2X LOCKING NUTS



DRAWING PROJECTION			LBTEK			
	NAME	DATE				
DRAWN	SSO	OCT./25th/23	$\varnothing 30\text{mm}$ STAINLESS STEEL VERTICAL ADJUSTMENT FRAME (INDUSTRIAL GRADE)			
APPROVAL	ZXU	OCT./25th/23	MATERIAL	WEIGHT	SCALE	REV
FOR INFORMATION ONLY NOT FOR MANUFACTURING PURPOSES			STAINLESS STEEL	0.149 Kg	1:1	B