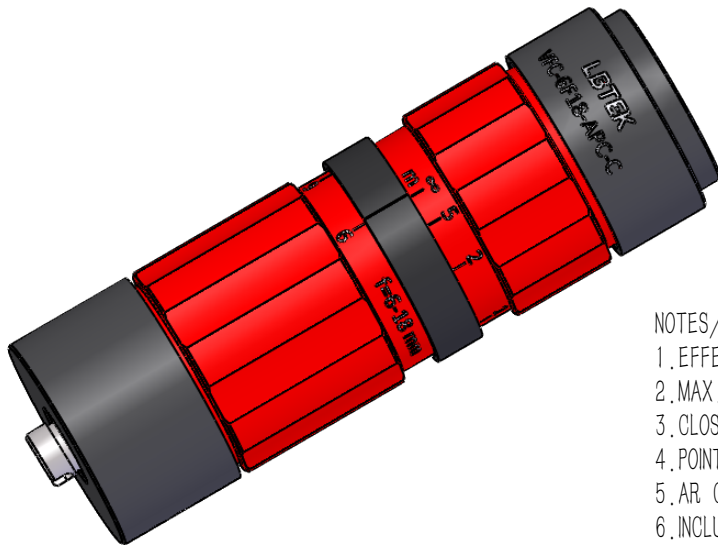
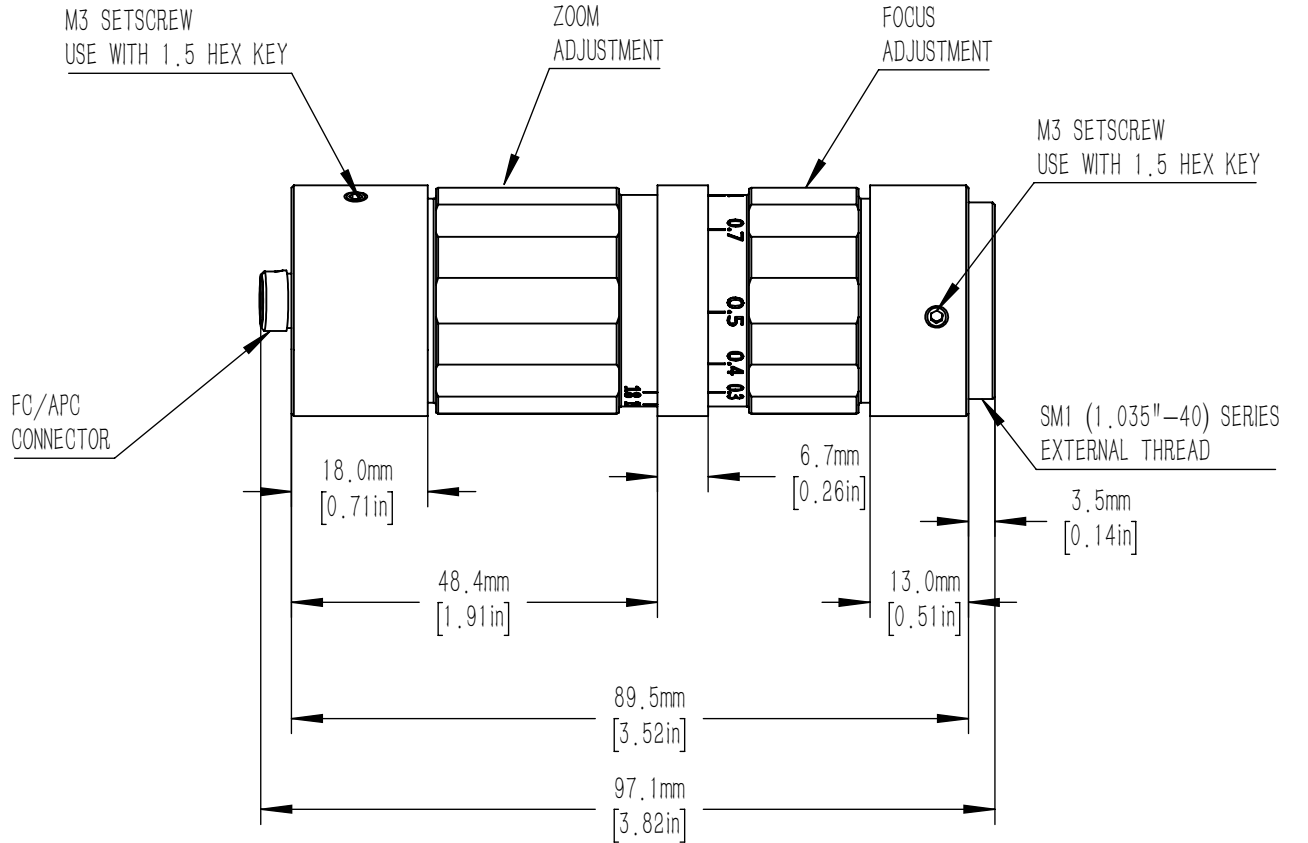
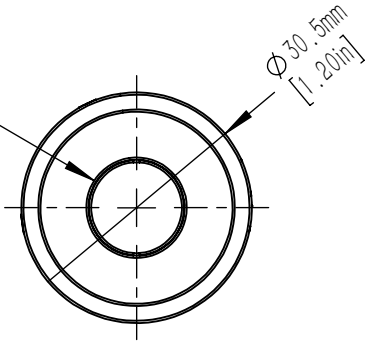


SM05 (0.535"-40) SERIES
INTERNAL THREAD



NOTES/SPECIFICATIONS:

- 1.EFFECTIVE FOCAL LENGTH: 6-18mm
- 2.MAX. FIBER NUMERICAL APERTURE: 0.25
- 3.CLOSEST FOCUSING DISTANCE: 0.3m
- 4.POINTING STABILITY DURING ZOOMING: <1mrad
- 5.AR COATING: $R_{avg} < 0.5\%$ for 1050-1650nm
- 6.INCLUDED BUT NOT SHOWN: 1.5 HEX KEY FOR LOCKING SCREWS

DRAWING PROJECTION			LBTEK			
	NAME	DATE				
DRAWN	JUS	MAR./6th/24	Zoom Collimator f=6-18mm			
APPROVAL	WEC	MAR./6th/24	MATERIAL	WEIGHT	SCALE	REV
FOR INFORMATION ONLY NOT FOR MANUFACTURING PURPOSES			N/A	0.180 Kg	1:1	A