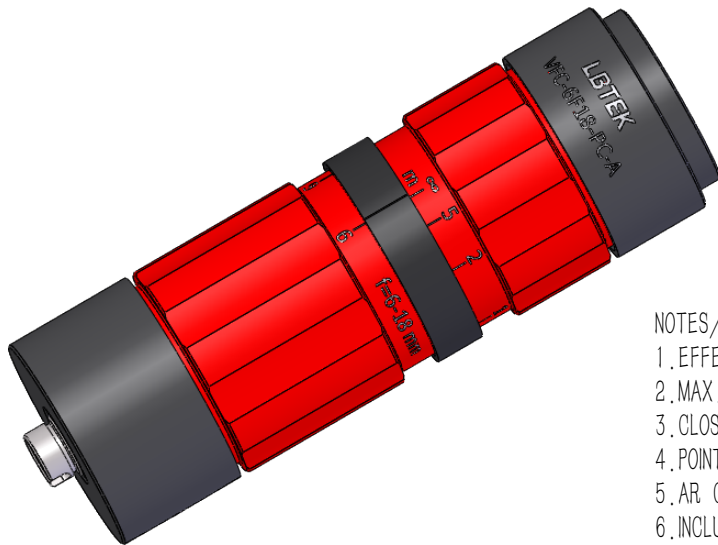
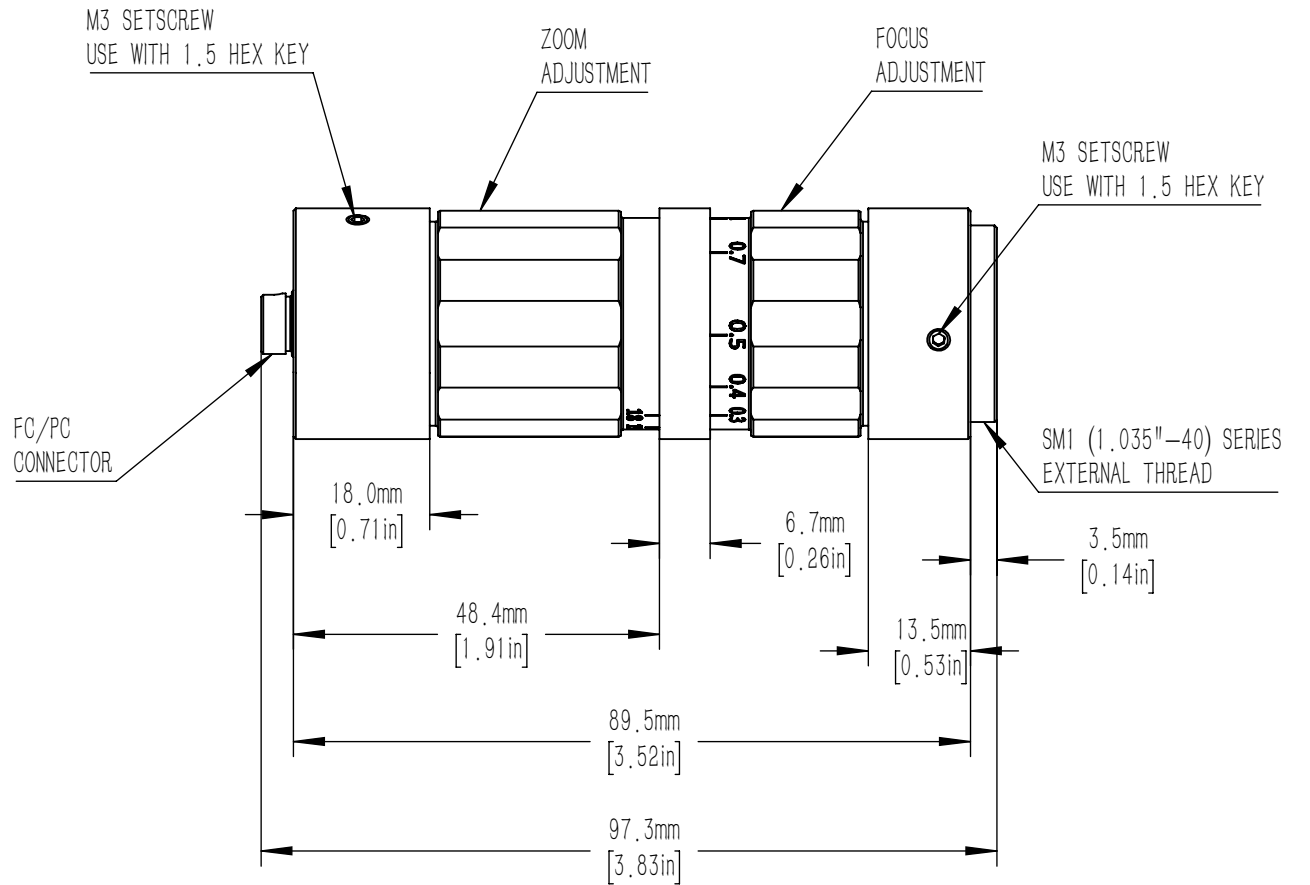
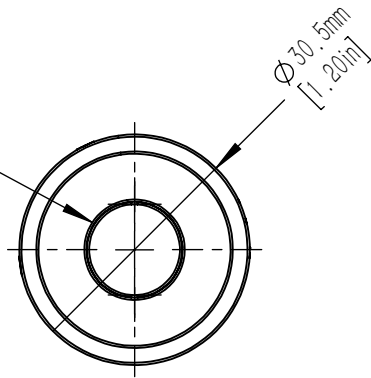


SM05 (0.535"-40) SERIES  
INTERNAL THREAD



NOTES/SPECIFICATIONS:

1. EFFECTIVE FOCAL LENGTH: 6-18mm
2. MAX. FIBER NUMERICAL APERTURE: 0.25
3. CLOSEST FOCUSING DISTANCE: 0.3m
4. POINTING STABILITY DURING ZOOMING: <1mrad
5. AR COATING:  $R_{avg} < 0.5\%$  for 400-650nm
6. INCLUDED BUT NOT SHOWN: 1.5 HEX KEY FOR LOCKING SCREWS

|  |      |             |                          |          |       |     |
|--|------|-------------|--------------------------|----------|-------|-----|
| DRAWING PROJECTION                                     |      |             | <b>LBTEK</b>             |          |       |     |
|  | NAME | DATE        |                          |          |       |     |
| DRAWN  | JUS  | MAR./6th/24 | Zoom Collimator f=6-18mm |          |       |     |
| APPROVAL   | WEC  | MAR./6th/24 | MATERIAL                 | WEIGHT   | SCALE | REV |
| FOR INFORMATION ONLY<br>NOT FOR MANUFACTURING PURPOSES |      |             | N/A                      | 0.167 Kg | 1:1   | A   |