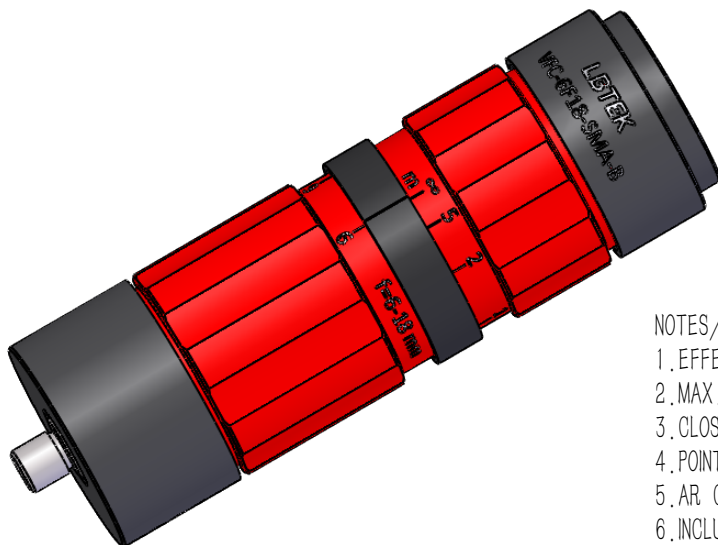
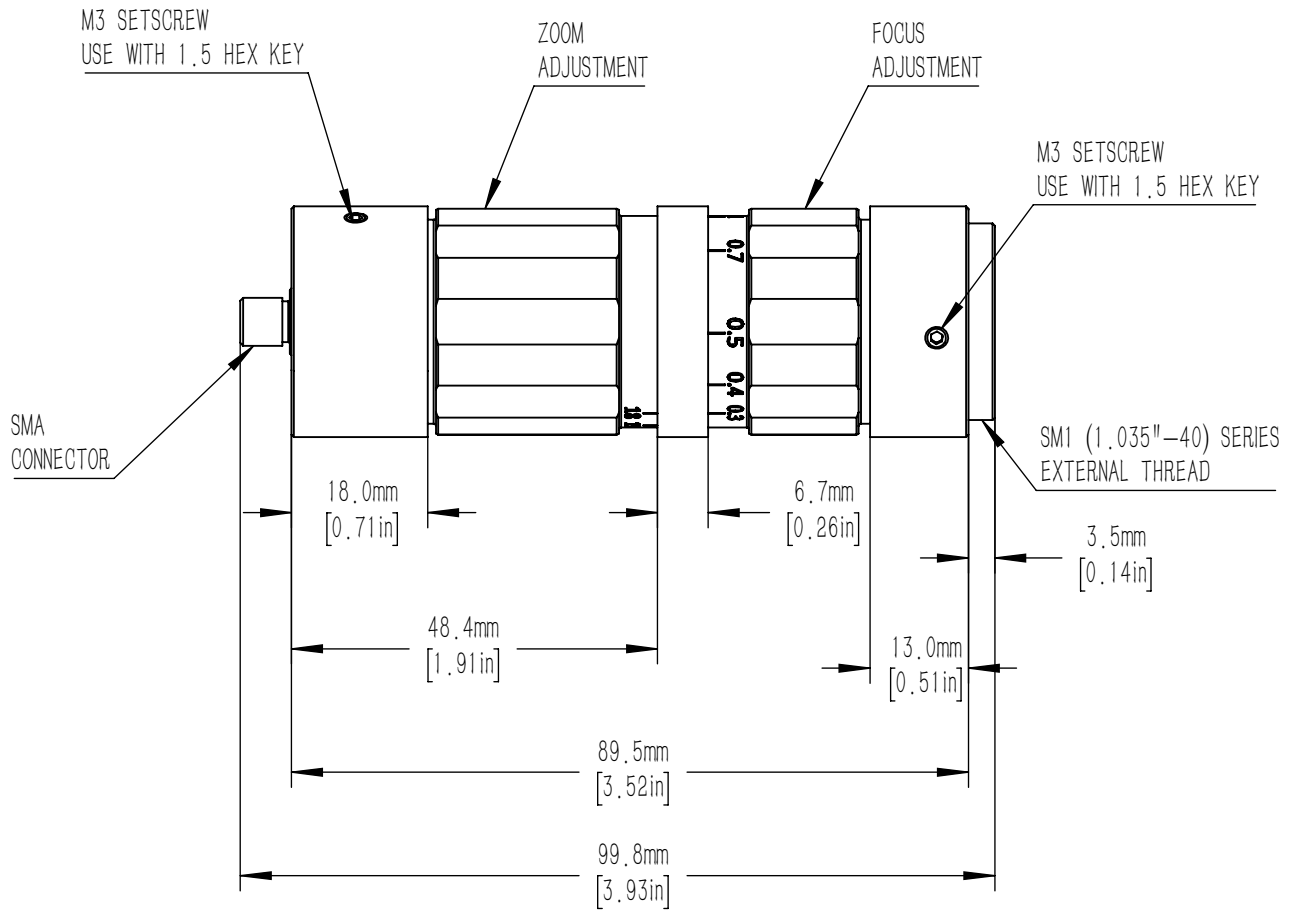
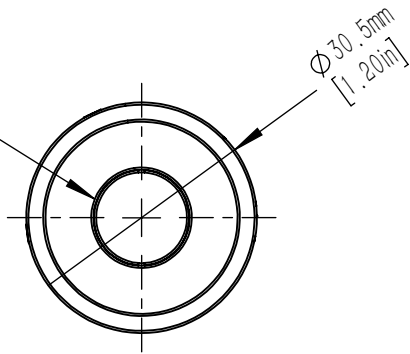


SM05 (0.535"-40) SERIES  
INTERNAL THREAD



NOTES/SPECIFICATIONS:

- 1.EFFECTIVE FOCAL LENGTH: 6-18mm
- 2.MAX. FIBER NUMERICAL APERTURE: 0.25
- 3.CLOSEST FOCUSING DISTANCE: 0.3m
- 4.POINTING STABILITY DURING ZOOMING: <4mrad
- 5.AR COATING:  $R_{avg} < 0.5\%$  for 650-1050nm
- 6.INCLUDED BUT NOT SHOWN: 1.5 HEX KEY FOR LOCKING SCREWS

DRAWING PROJECTION			<b>LBTEK</b>			
	NAME	DATE				
DRAWN	JUS	MAR./6th/24	Zoom Collimator f=6-18mm			
APPROVAL	WEC	MAR./6th/24	MATERIAL	WEIGHT	SCALE	REV
FOR INFORMATION ONLY NOT FOR MANUFACTURING PURPOSES			N/A	0.181 Kg	1:1	A