

NOTES

1. DESIGN WAVELENGTH: 1064 nm
2. TRANSMITTED BEAM DEVIATION:  $\pm 5$  arcmin
3. CLEAR APERTURE:  $\varnothing 10$  mm

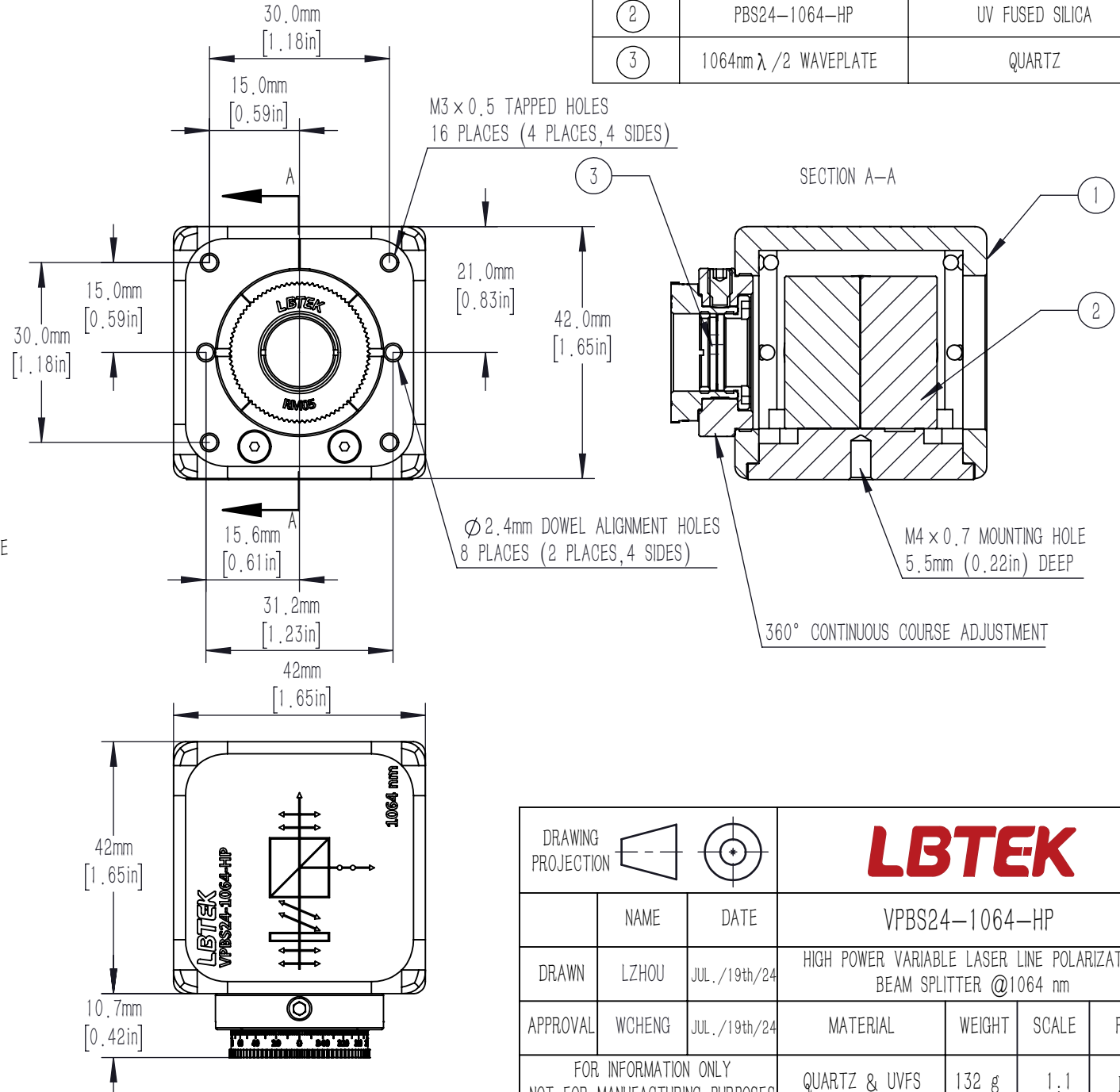
BEAMSPLITTER:

4. SURFACE QUALITY: 20/10 (S/D)
5. EXTINCTION RATIO:  $T_p/T_s > 2000: 1$
6. WAVEFRONT ERROR(RMS):  $< \lambda/4$  @ 632.8 nm
7. COATING (ALL 4 OUTER OPTICAL SURFACES):  
V Coating@1064 nm, Rabs:  $< 0.25\%$ ,  $0^\circ$  AOI

WAVEPLATE

8. SURFACE QUALITY: 20/10 (S/D)
9. DELAY:  $\lambda/2$
10. DELAY TOLERANCE:  $\pm \lambda/300$
11. WAVEFRONT ERROR(RMS):  $< \lambda/8$  @ 632.8 nm
12. AR COATING: V Coating@1064 nm, Rabs  $< 0.25\%$ , ( $6^\circ$  AOI, SINGLE SURFACE)

NUMBER	PART DESCRIPTION	MATERIAL
①	MECHANICAL HOUSING	BLACK ANODIZED ALUMINUM
②	PBS24-1064-HP	UV FUSED SILICA
③	1064nm $\lambda/2$ WAVEPLATE	QUARTZ



DRAWING PROJECTION				<b>LBTEK</b>			
	NAME	DATE	VPBS24-1064-HP				
DRAWN	LZHOU	JUL./19th/24	HIGH POWER VARIABLE LASER LINE POLARIZATION BEAM SPLITTER @1064 nm				
APPROVAL	WCHENG	JUL./19th/24	MATERIAL	WEIGHT	SCALE	REV	
FOR INFORMATION ONLY NOT FOR MANUFACTURING PURPOSES			QUARTZ & UVFS	132 g	1:1	B	