

NOTES

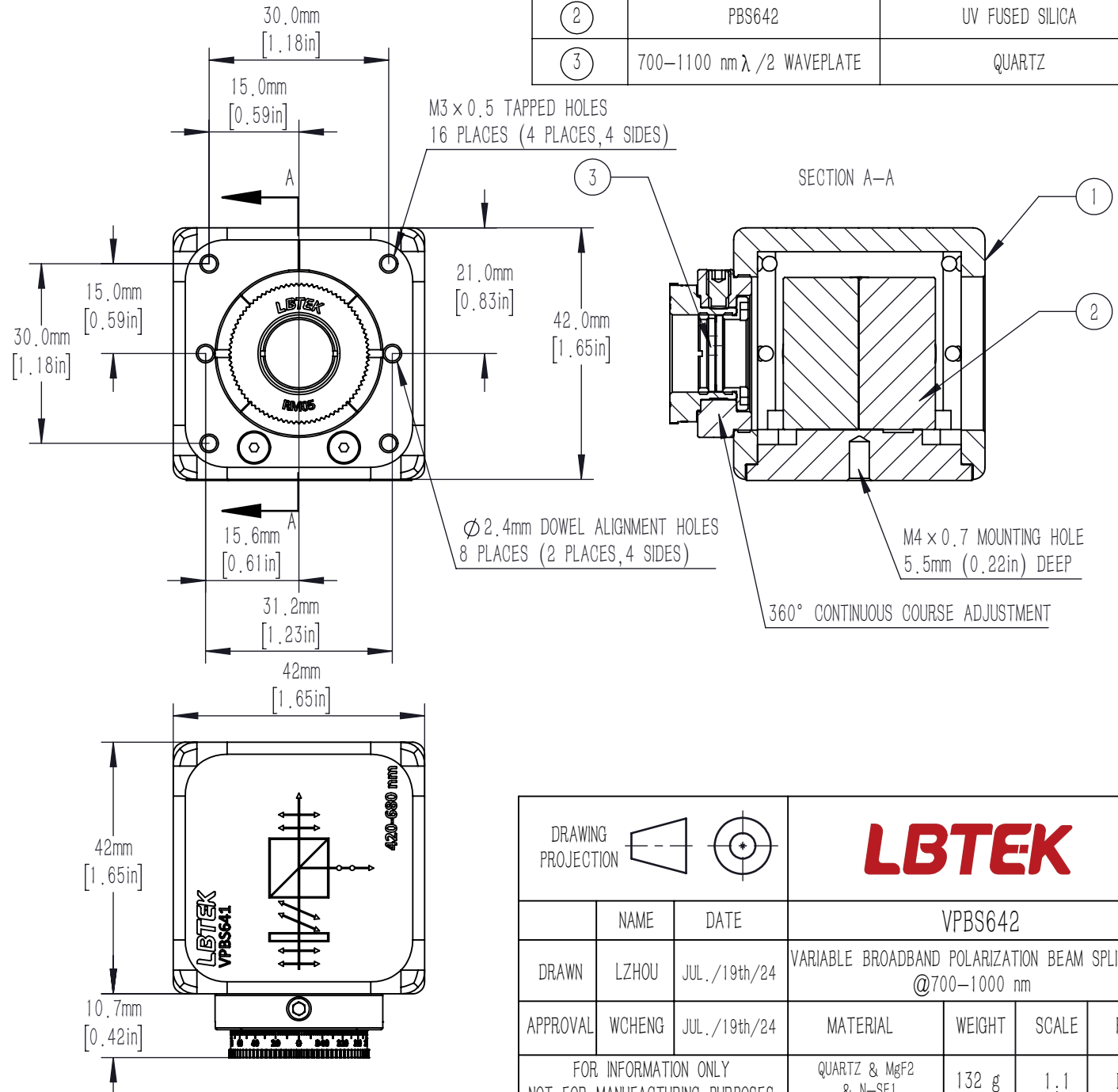
- DESIGN WAVELENGTH: 700–1000 nm
- TRANSMITTED BEAM DEVIATION: ± 5 arcmin
- CLEAR APERTURE: $\varnothing 10$ mm

BEAMSPLITTER:

- SURFACE QUALITY: 40/20 (S/D)
- EXTINCTION RATIO: $T_p/T_s > 1000:1$
- WAVEFRONT ERROR(RMS): $< \lambda/4$ @632.8 nm
- COATING (ALL 4 OUTER OPTICAL SURFACES):
AR Coating@620–1000 nm, Rabs: $< 0.5\%$, (6° AOI, SINGLE SURFACE)

WAVEPLATE

- SURFACE QUALITY: 40/20 (S/D)
- DELAY: $\lambda/2$
- DELAY TOLERANCE: $\pm \lambda/50$
- WAVEFRONT ERROR(RMS): $< \lambda/8$ @632.8 nm
- COATING: AR Coating@700–1100 nm, Rabs $< 0.5\%$, (6° AOI, SINGLE SURFACE)



DRAWING PROJECTION							
	NAME	DATE		VARIABLE BROADBAND POLARIZATION BEAM SPLITTER @700–1000 nm			
DRAWN	LZHOU	JUL./19th/24					
APPROVAL	WCHENG	JUL./19th/24		MATERIAL	WEIGHT	SCALE	REV
FOR INFORMATION ONLY NOT FOR MANUFACTURING PURPOSES				QUARTZ & MgF2 & N-SF1	132 g	1:1	B