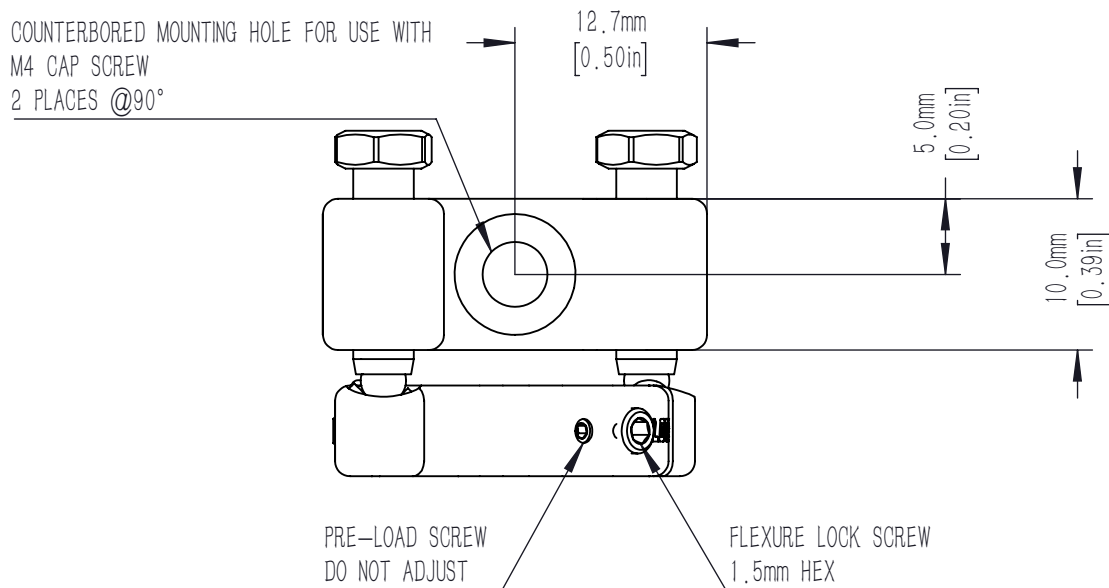
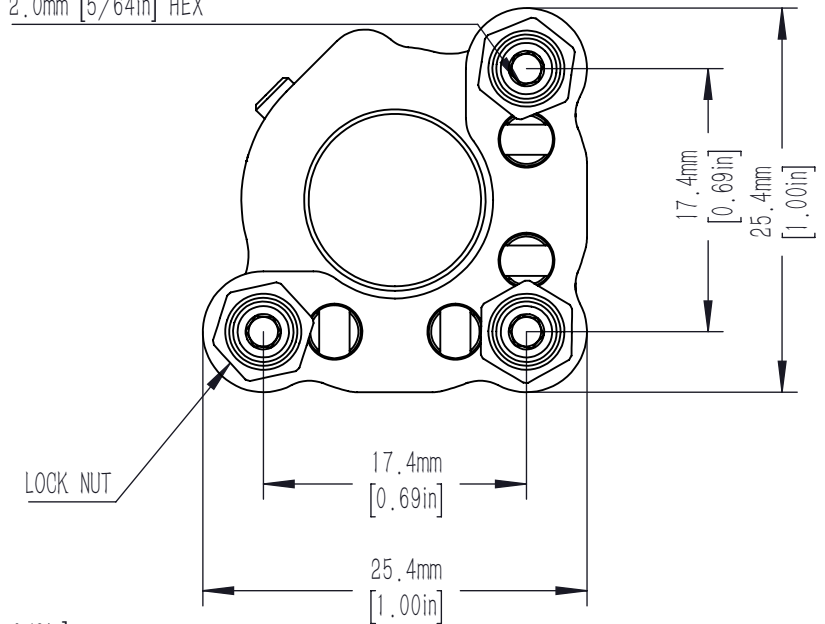
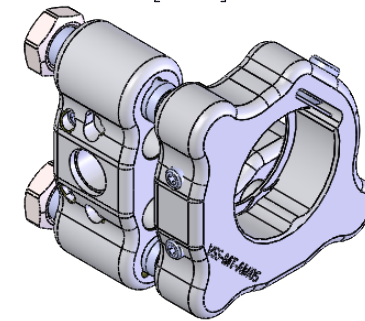


M4X0.2 ADJUSTER SCREWS
 PROVIDES +/-5° TOTAL ANGULAR DISPLACEMENT
 (0.65° PER REVOLUTION)
 3 PLACES
 2.0mm [5/64in] HEX



φ 2.01mm [0.079in]
 1.91mm [0.075in] DEEP
 ALIGNMENT PIN FEATURES
 4 PLACES(2@90°)



DRAWING PROJECTION			LBTEK			
	NAME	DATE				
DRAWN	ZZH	MAR./3th/25	MIRROR MOUNT FOR φ 12.7mm OPTICS, VACUUM SERIES			
APPROVAL	YLI	MAR./3th/25	MATERIAL	WEIGHT	SCALE	REV
FOR INFORMATION ONLY NOT FOR MANUFACTURING PURPOSES			N/A	0.024 Kg	2:1	A