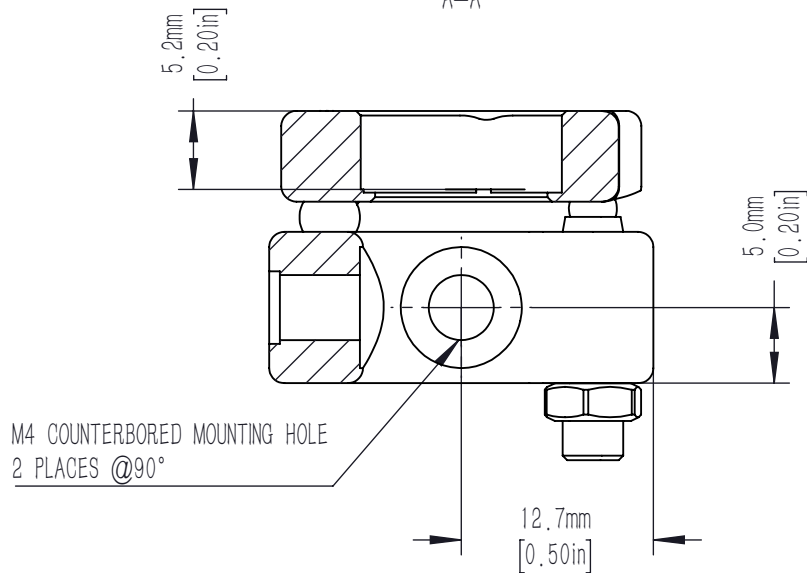
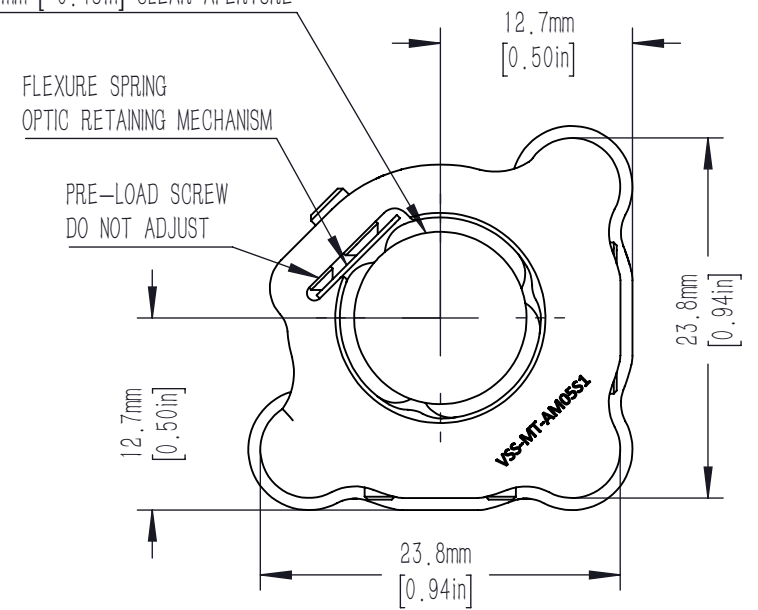


ACCEPTS 12.7mm [0.50in] OPTICS
5.2mm [0.20in] DEEP
11.4mm [0.45in] CLEAR APERTURE



DRAWING PROJECTION				<h1 style="color: red; margin: 0;">LBTEK</h1>			
DRAWN	ZZH	JAN./4th/26	MIRROR MOUNT FOR Ø12.7mm OPTICS, VACUUM SERIES				
APPROVAL	YLI	JAN./4th/26	MATERIAL	WEIGHT	SCALE	REV	
FOR INFORMATION ONLY NOT FOR MANUFACTURING PURPOSES			N/A	0.023 Kg	2:1	A	