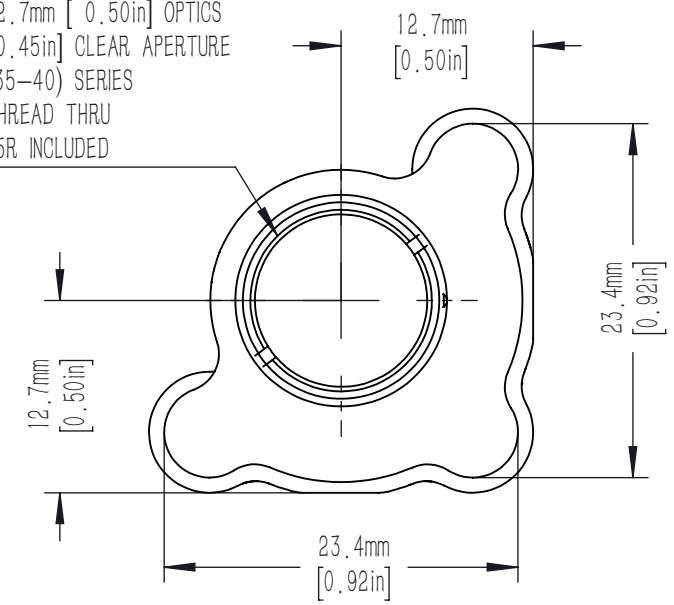
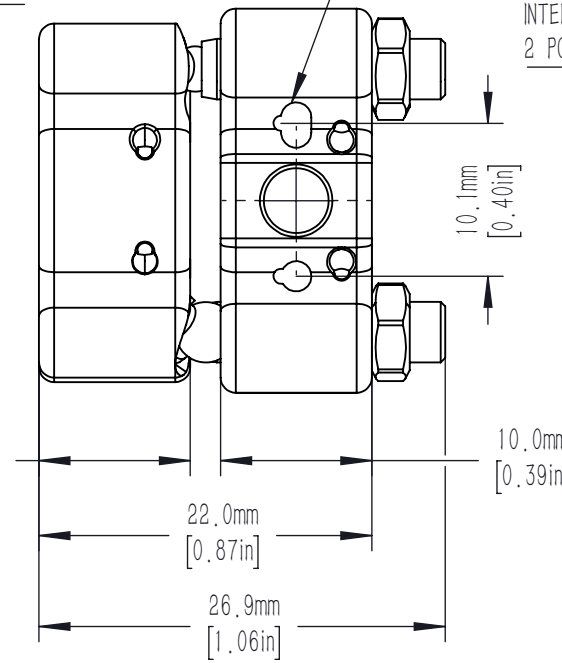
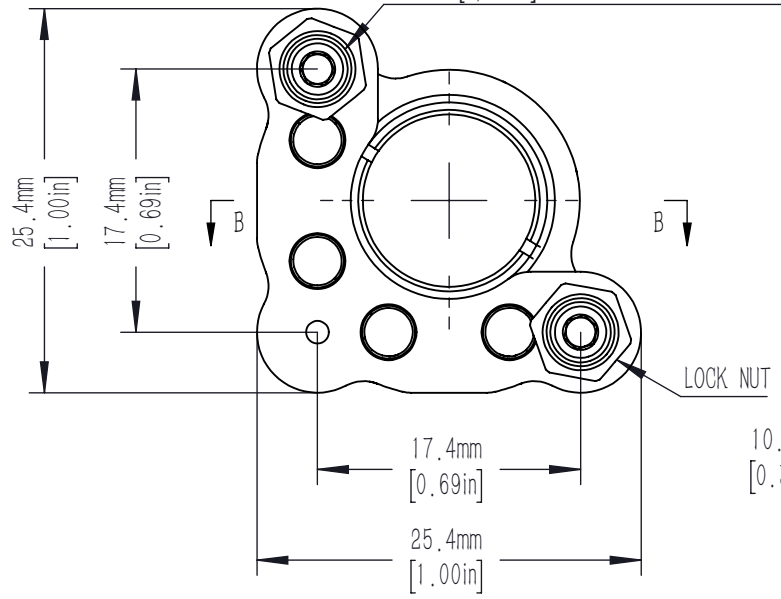


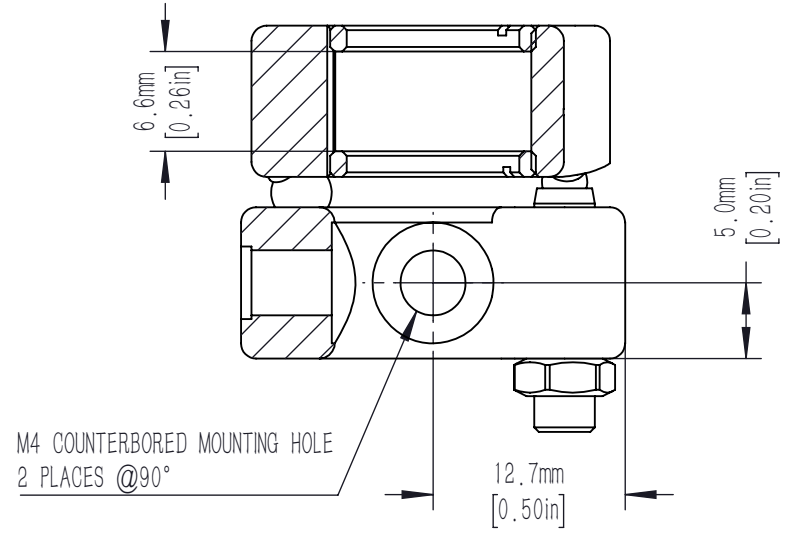
M4X0.2 ADJUSTER SCREWS
 PROVIDES +/-5° TOTAL ANGULAR DISPLACEMENT
 (0.65° PER REVOLUTION)
 2 PLACES
 2.0mm [5/64in] HEX

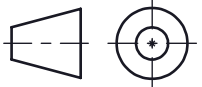

Ø 2.01mm [0.079in]
 1.91mm [0.075in] DEEP
 ALIGNMENT PIN FEATURES
 4 PLACES (2 @90°)

ACCEPTS 12.7mm [0.50in] OPTICS
 11.4mm [0.45in] CLEAR APERTURE
 SM05 (0.535-40) SERIES
 INTERNAL THREAD THRU
 2 PCS SM05R INCLUDED



B-B



DRAWING PROJECTION							
DRAWN	ZZH	DATE	JAN./4th/26	MIRROR MOUNT FOR Ø 12.7mm OPTICS, VACUUM SERIES			
APPROVAL	YLI	DATE	JAN./4th/26	MATERIAL	WEIGHT	SCALE	REV
FOR INFORMATION ONLY NOT FOR MANUFACTURING PURPOSES				N/A	0.038 Kg	2:1	A