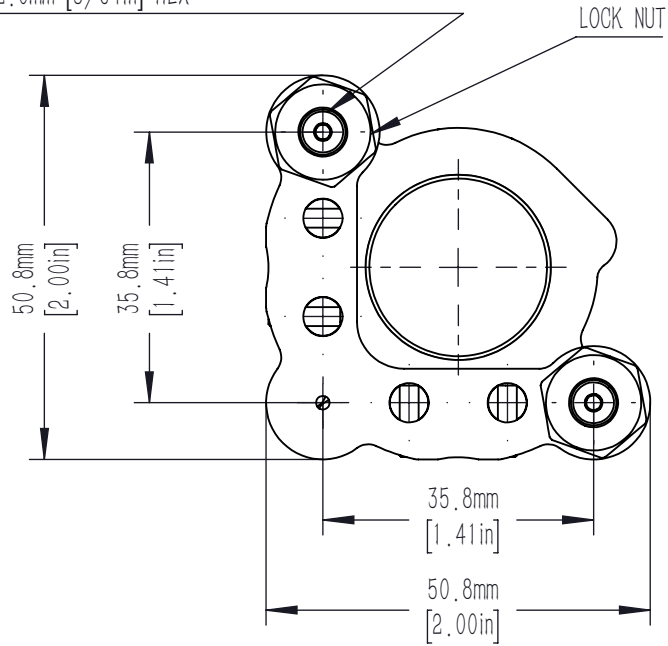
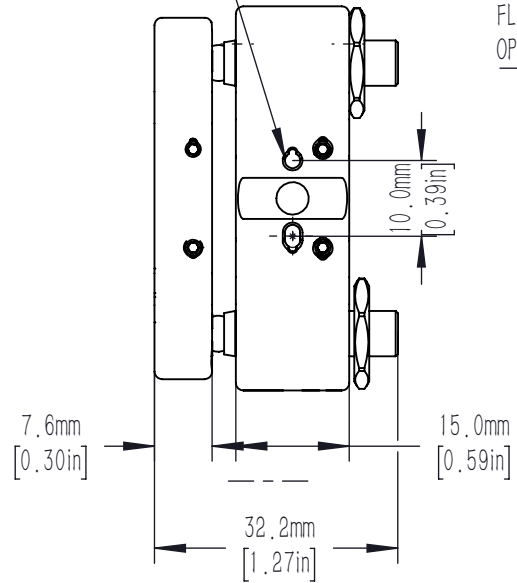


M6X0.25 ADJUSTER SCREWS
 PROVIDES +/-4° TOTAL ANGULAR DISPLACEMENT
 (0.4° PER REVOLUTION)
 2 PLACES
 2.0mm [5/64in] HEX

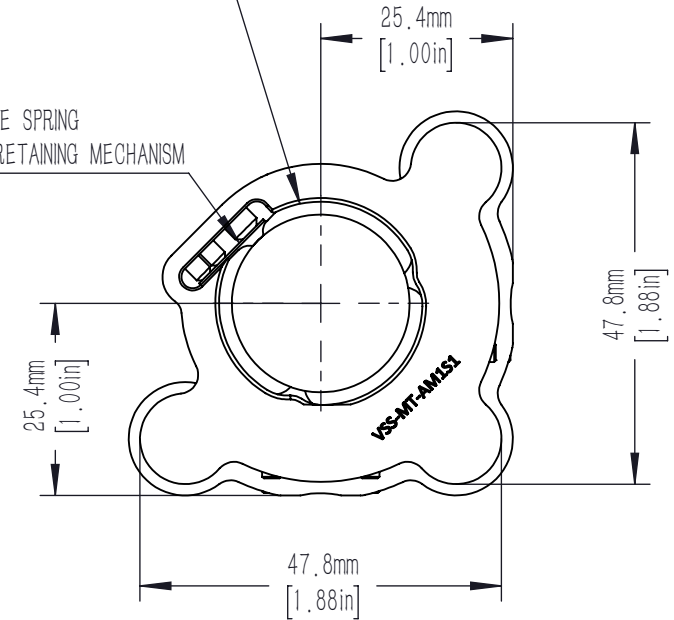


Ø2.01mm [0.079in]
 1.91mm [0.075in] DEEP
 ALIGNMENT PIN FEATURES
 4 PLACES (2 @90°)



ACCEPTS 25.4mm [1.00in] OPTICS
 23.5mm [0.93in] CLEAR APERTURE

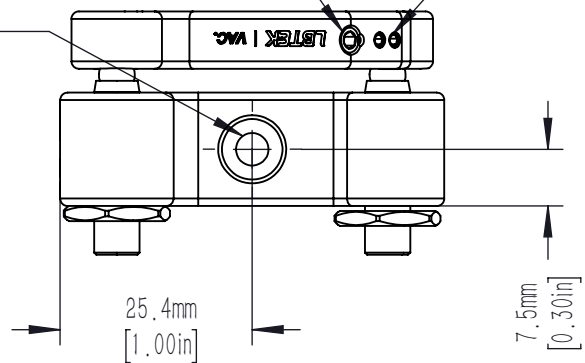
FLEXURE SPRING
 OPTIC RETAINING MECHANISM



M4 COUNTERBORED MOUNTING HOLE
 2 PLACES @90°

FLEXURE LOCK SCREW
 2mm HEX

PRE-LOAD SCREW
 DO NOT ADJUST



DRAWING PROJECTION			LBTEK			
	NAME	DATE				
DRAWN	ZZH	JAN./5th/26	MIRROR MOUN FOR Ø25.4mm OPTICS, VACUUM SERIES			
APPROVAL	YLI	JAN./5th/26	MATERIAL	WEIGHT	SCALE	REV
FOR INFORMATION ONLY NOT FOR MANUFACTURING PURPOSES			N/A	0.174 Kg	1:1	A