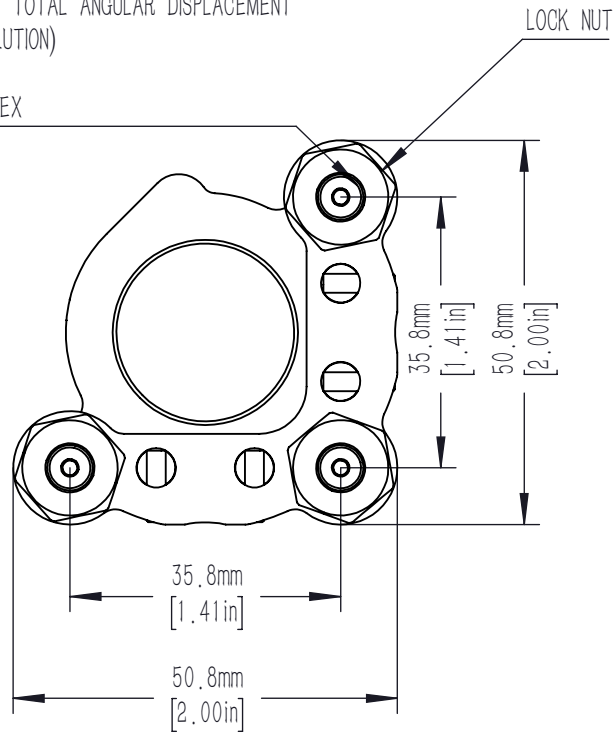
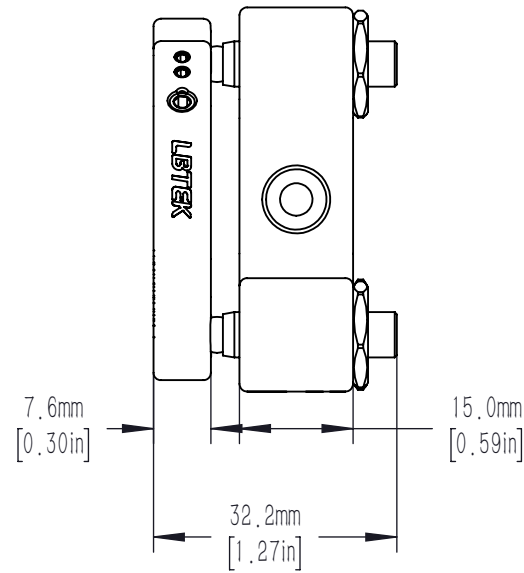


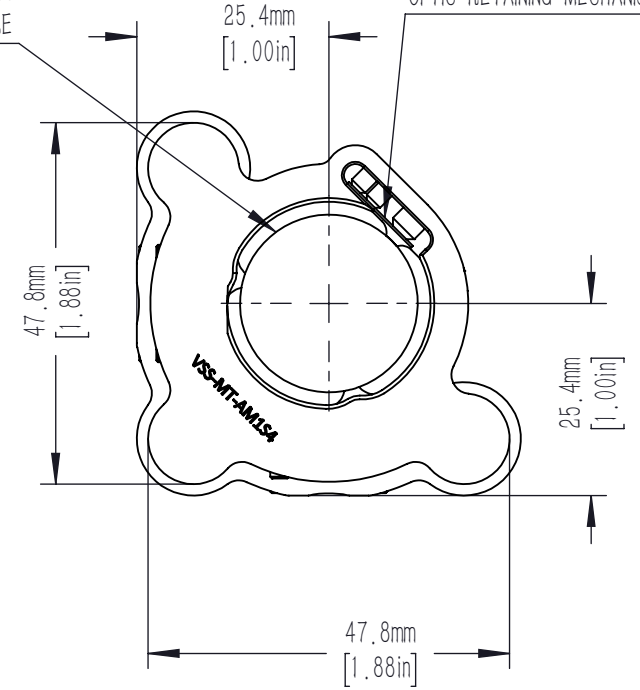
M6X0.25 ADJUSTER SCREWS
 PROVIDES +/-4° TOTAL ANGULAR DISPLACEMENT
 (0.4° PER REVOLUTION)
 3 PLACES
 2.0mm [5/64in] HEX



ACCEPTS 25.4mm [1.00in] OPTICS
 23.5mm [0.93in] CLEAR APERTURE

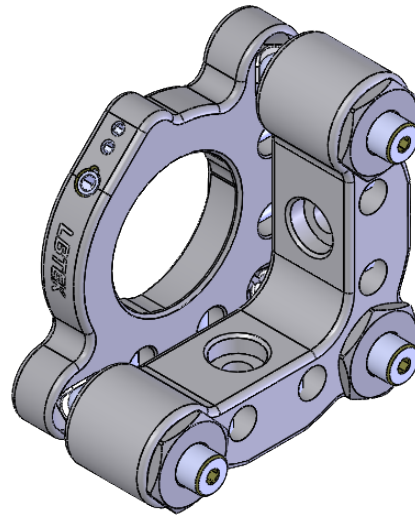
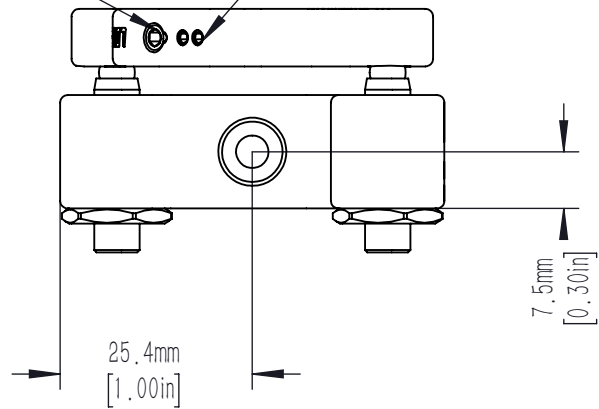


FLEXURE SPRING
 OPTIC RETAINING MECHANISM



FLEXURE LOCK SCREW
 2mm HEX

PRE-LOAD SCREW
 DO NOT ADJUST



DRAWING PROJECTION			LBTEK			
	NAME	DATE				
DRAWN	ZZH	MAR./3th/25	MIRROR MOUN FOR ϕ 25.4mm OPTICS, VACUUM SERIES			
APPROVAL	YLI	MAR./3th/25	MATERIAL	WEIGHT	SCALE	REV
FOR INFORMATION ONLY NOT FOR MANUFACTURING PURPOSES			N/A	0.176 Kg	1:1	A