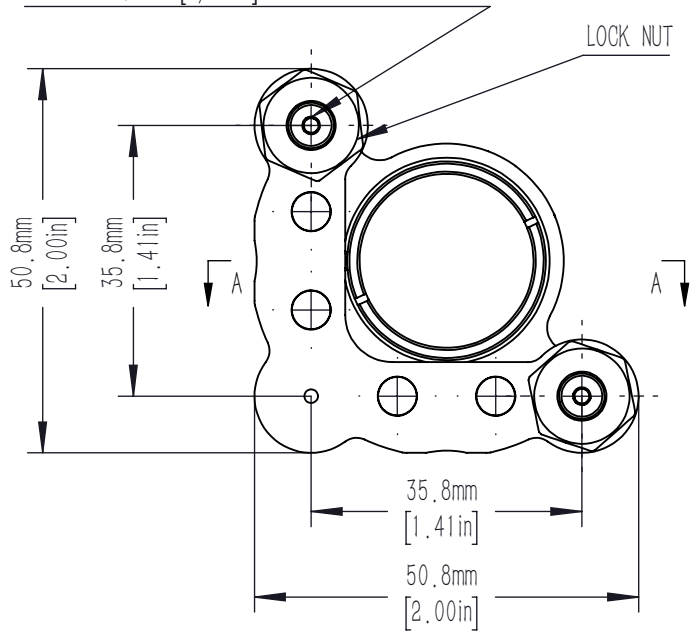
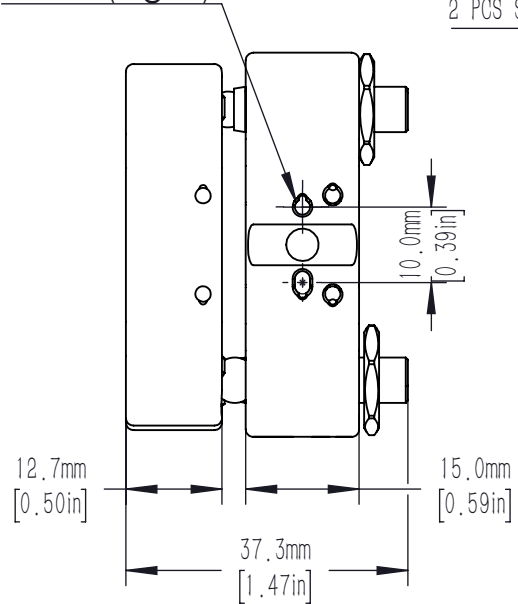


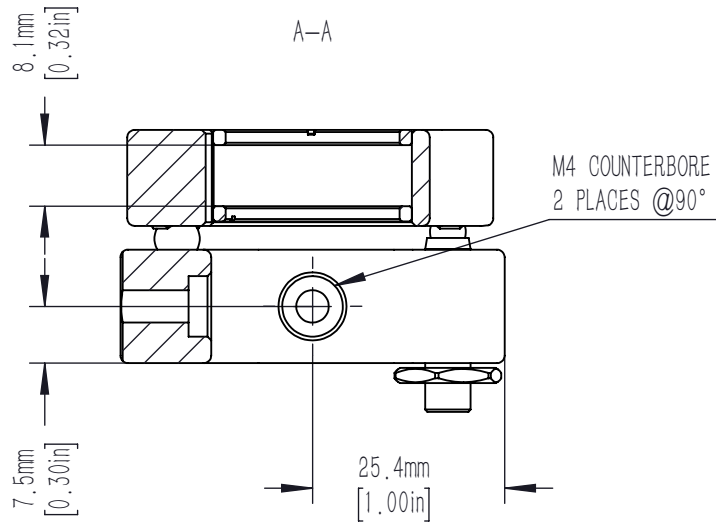
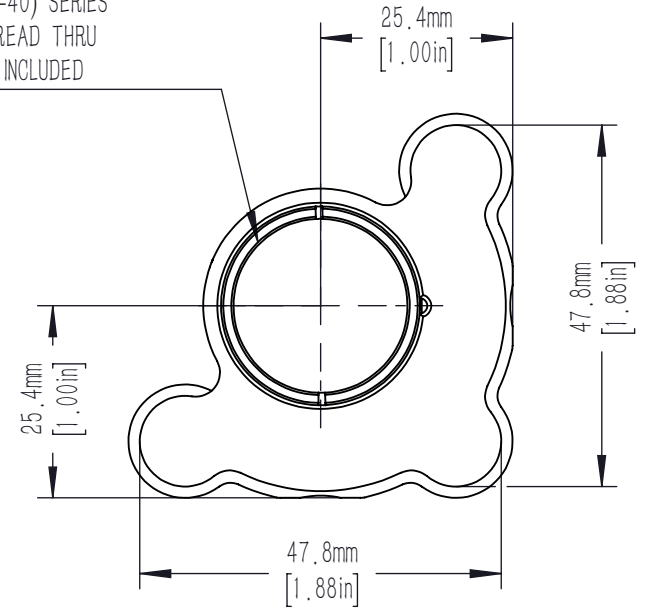
M6X0.25 ADJUSTER SCREWS  
 PROVIDES +/-4° TOTAL ANGULAR DISPLACEMENT  
 (0.4° PER REVOLUTION)  
 2 PLACES 2.0mm [5/64in] HEX



Ø2.01mm [0.079in]  
 1.91mm [0.075in] DEEP  
 ALIGNMENT PIN FEATURES  
 4 PLACES (2 @90°)



ACCEPTS 25.4mm [1.00in] OPTICS  
 23.0mm [0.91in] CLEAR APERTURE  
 SM1 (1.035-40) SERIES  
 INTERNAL THREAD THRU  
 2 PCS SM1R INCLUDED



DRAWING PROJECTION			<b>LBTEK</b>			
NAME	DATE	VSS-MT-AM1T1				
DRAWN	ZZH	JAN./5th/26	MIRROR MOUN FOR Ø25.4mm OPTICS, VACUUM SERIES			
APPROVAL	YLI	JAN./5th/26	MATERIAL	WEIGHT	SCALE	REV
FOR INFORMATION ONLY NOT FOR MANUFACTURING PURPOSES			N/A	0.210 Kg	1:1	A