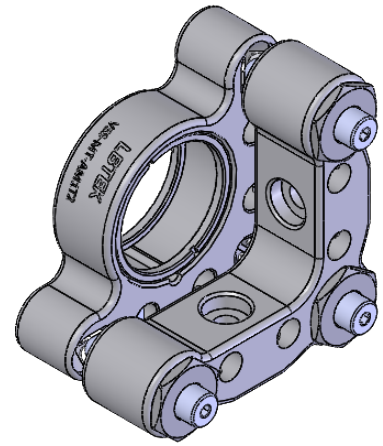
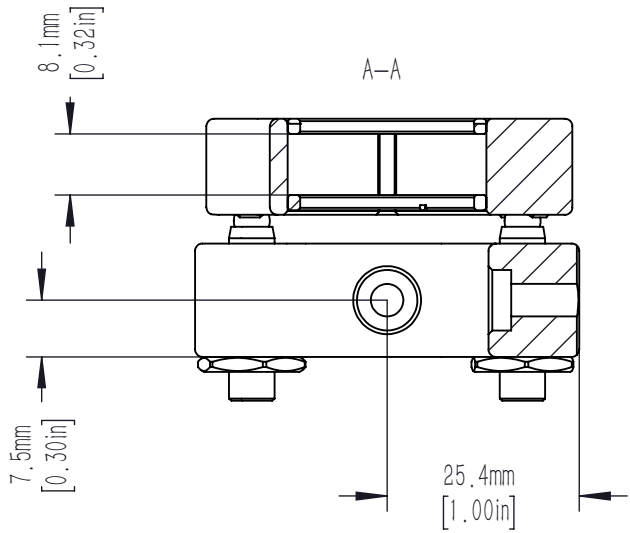
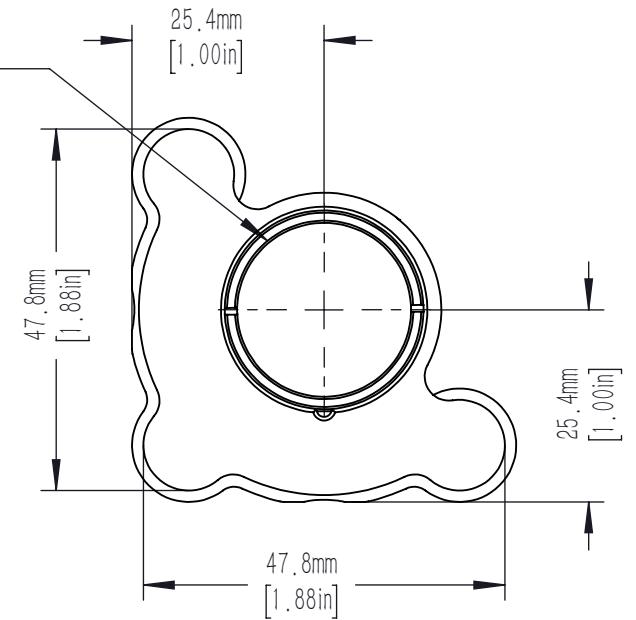
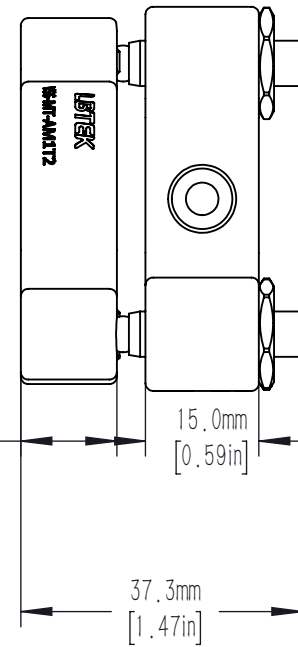
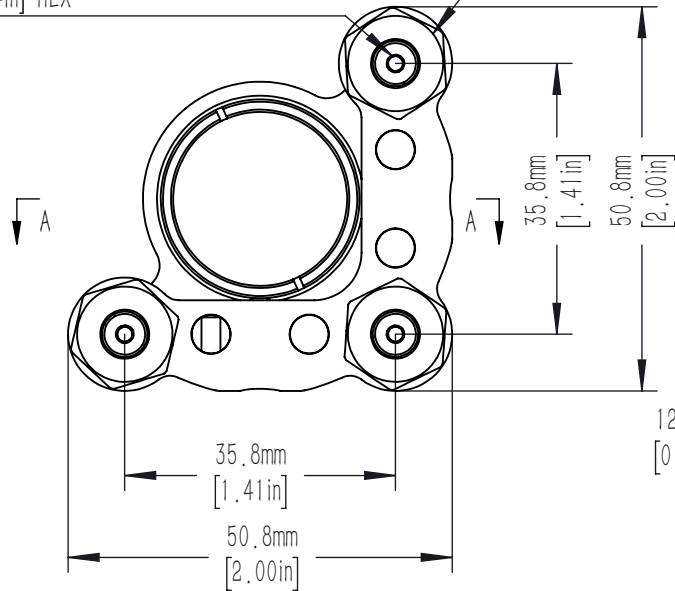


M6X0.25 ADJUSTER SCREWS  
 PROVIDES +/-4° TOTAL ANGULAR DISPLACEMENT  
 (0.4° PER REVOLUTION)  
 3 PLACES  
 2.0mm [5/64in] HEX

LOCK NUT

ACCEPTS 25.4mm [ 1.00in] OPTICS  
 23.0mm [ 0.91in] CLEAR APERTURE  
 SM1 (1.035-40) SERIES  
 INTERNAL THREAD THRU  
 2 PCS SMIR INCLUDED



DRAWING PROJECTION							
	NAME	DATE	VSS-MT-AM1T2				
DRAWN	ZZH	MAR./3th/25	MIRROR MOUNT FOR $\phi$ 25.4mm OPTICS, VACUUM SERIES				
APPROVAL	YLI	MAR./3th/25	MATERIAL	WEIGHT	SCALE	REV	
FOR INFORMATION ONLY NOT FOR MANUFACTURING PURPOSES			N/A	0.210 Kg	1:1	A	