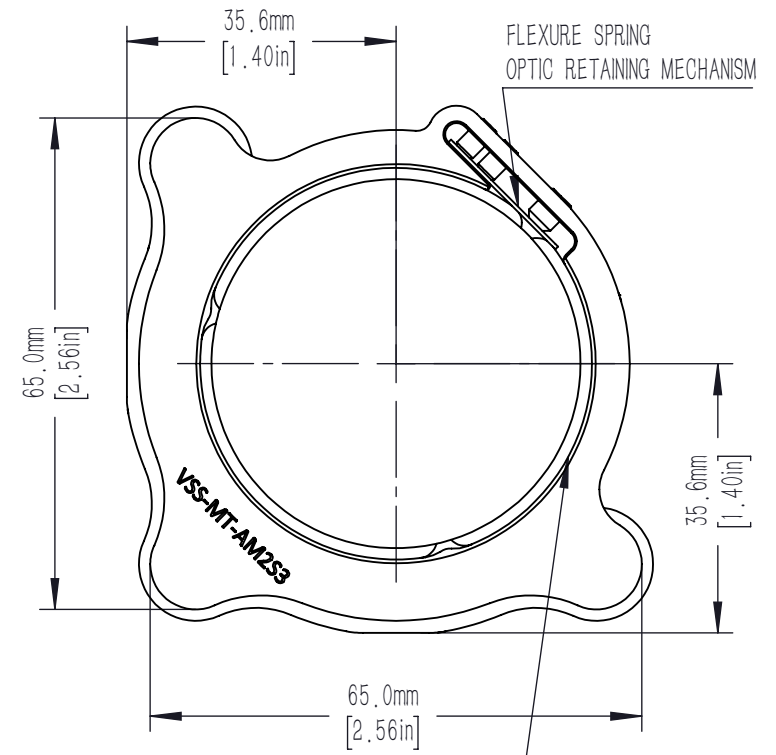
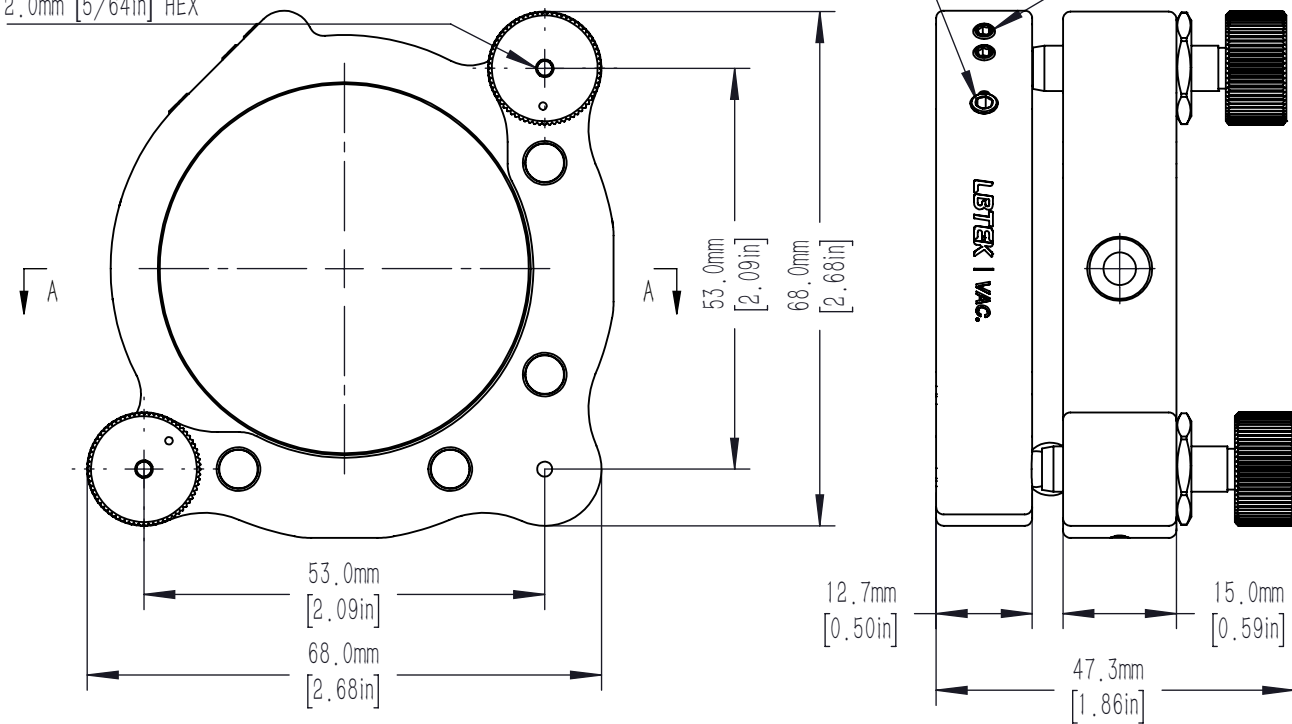


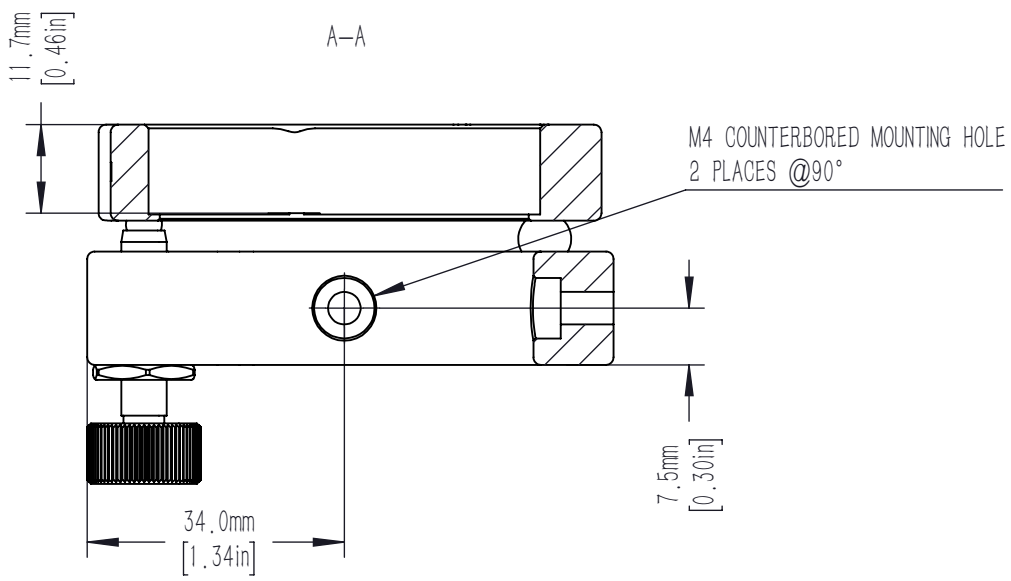
M6X0.25 ADJUSTER SCREWS PROVIDES
 PROVIDE +/-4° TOTAL ANGULAR DISPLACEMENT
 (0.27° PER REVOLUTION)
 2 PLACES
 2.0mm [5/64in] HEX

FLEXURE LOCK SCREW
 2mm HEX

PRE-LOAD SCREW
 DO NOT ADJUST



ACCEPTS ϕ 50.8mm [2.00in]
 OPTICS ϕ 48.8mm [1.92in] CLEAR APERTURE



DRAWING PROJECTION				<h1 style="color: red; margin: 0;">LBTEK</h1>			
DRAWN	ZZH	JAN./5th/26	MIRROR MOUN FOR ϕ 50.8mm OPTICS, VACUUM SERIES				
APPROVAL	YLI	JAN./5th/26	MATERIAL	WEIGHT	SCALE	REV	
FOR INFORMATION ONLY NOT FOR MANUFACTURING PURPOSES			N/A	0.308 Kg	1:1	A	