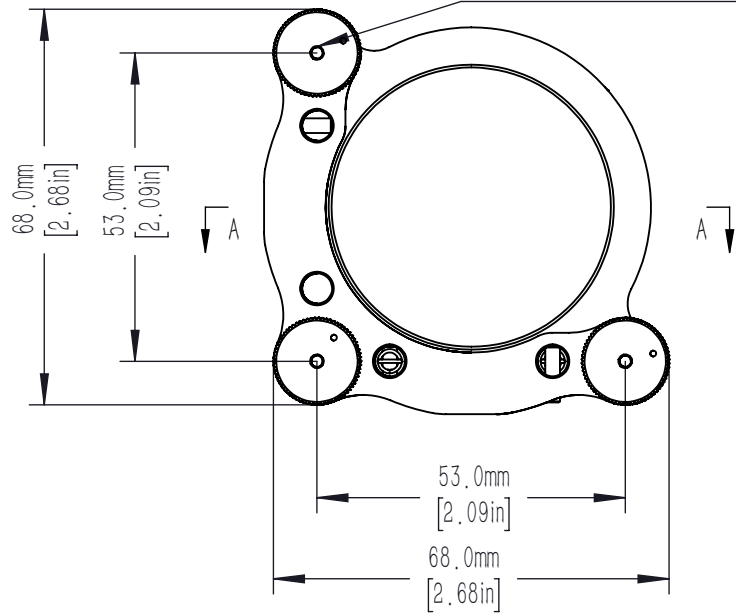
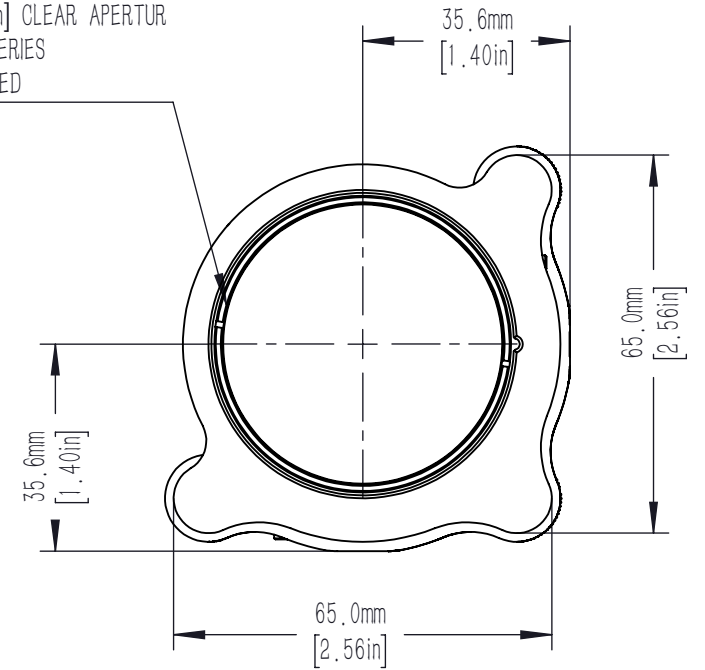
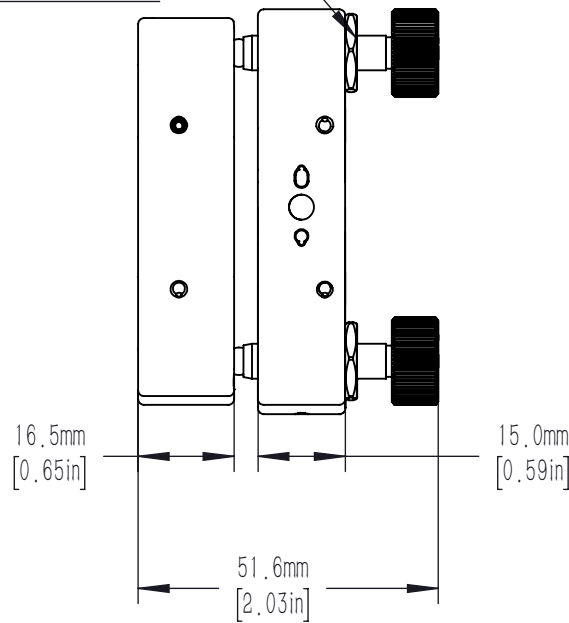


M6X0.25 ADJUSTER SCREWS
 PROVIDES +/-4° TOTAL ANGULAR DISPLACEMENT
 (0.4° PER REVOLUTION)
 3 PLACES
 2.0mm [5/64in] HEX

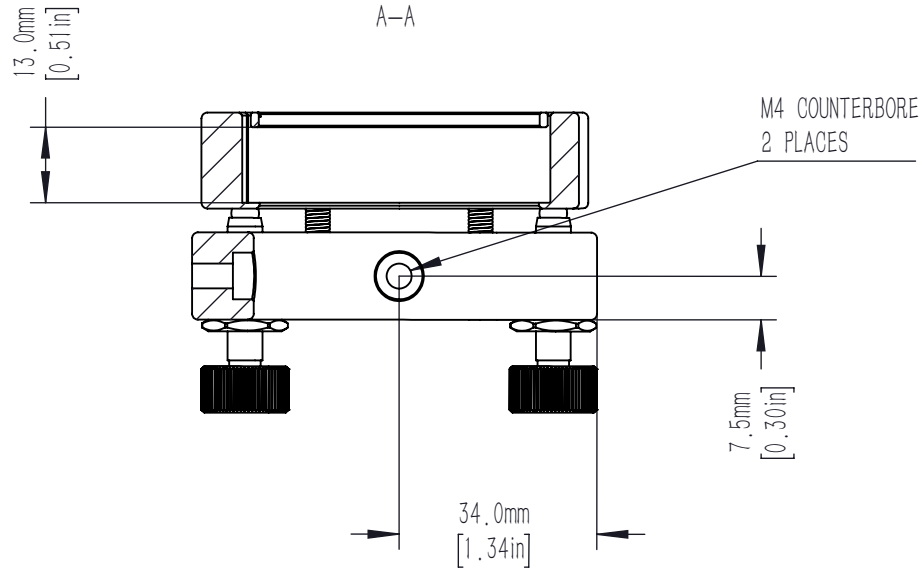
ACCEPTS ϕ 50.8mm [2.00in] OPTICS
 ϕ 48.8mm [1.92in] CLEAR APERTURE
 SM2 (2.035-40) SERIES
 1 PCS SM2R INCLUDED



LOCK NUT



A-A



DRAWING PROJECTION			LBTEK			
	NAME	DATE				
DRAWN	ZZH	MAR./3th/25	MIRROR MOUNT FOR ϕ 50.8mm OPTICS, VACUUM SERIES			
APPROVAL	YLI	MAR./3th/25	MATERIAL	WEIGHT	SCALE	REV
FOR INFORMATION ONLY NOT FOR MANUFACTURING PURPOSES			N/A	0.339 Kg	1:1.3	A