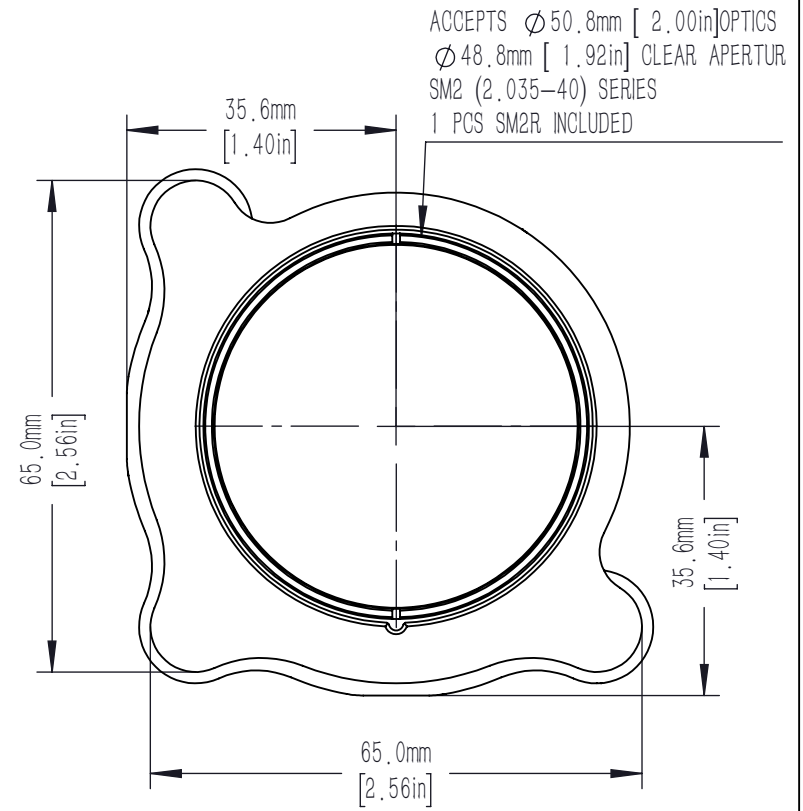
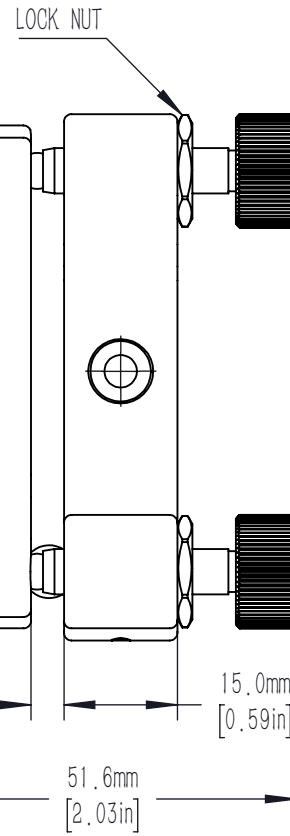
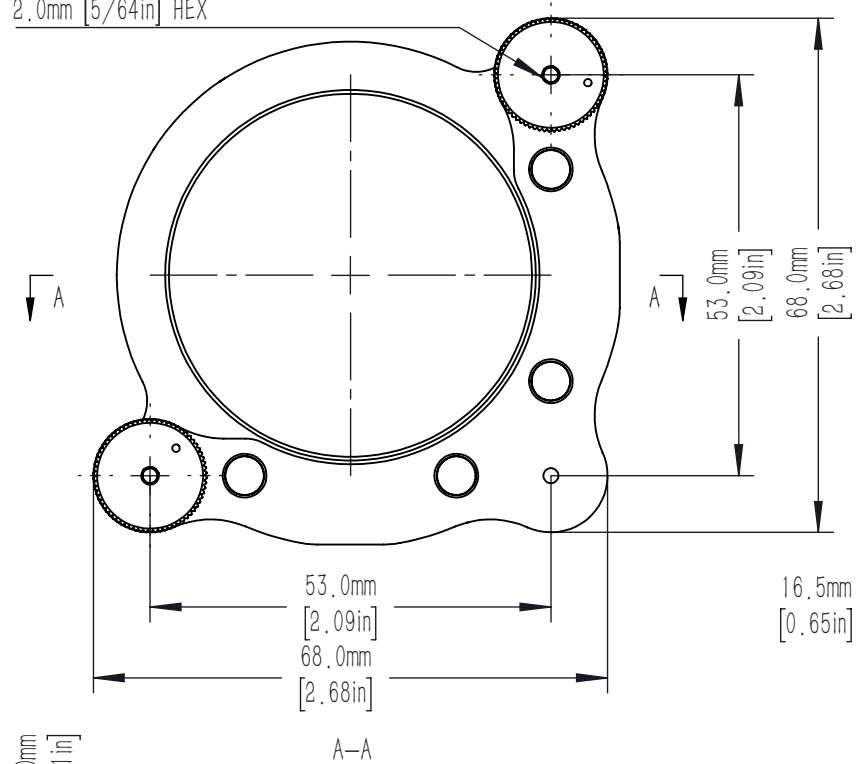
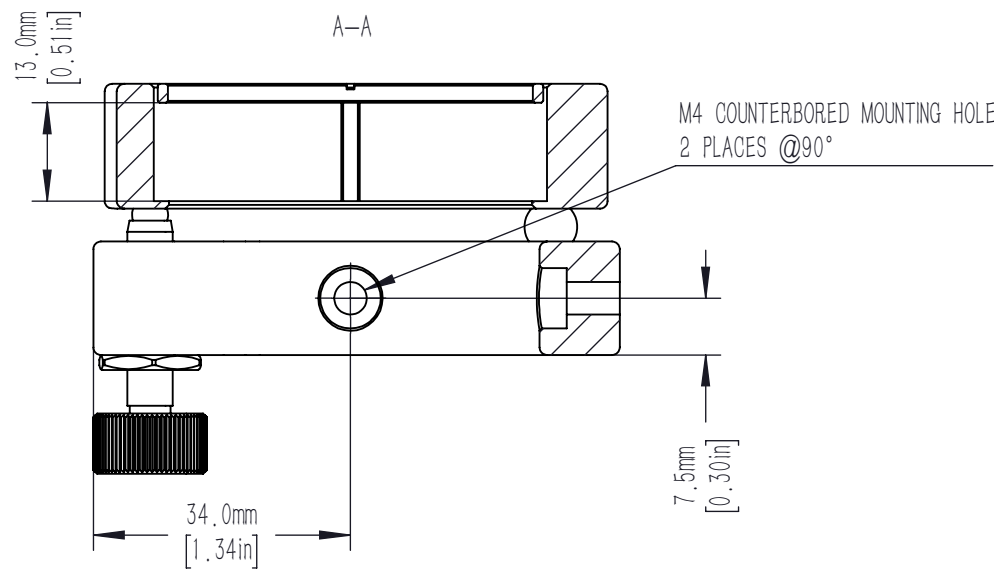


M6X0.25 ADJUSTER SCREWS PROVIDES
 PROVIDE +/-4° TOTAL ANGULAR DISPLACEMENT
 (0.27° PER REVOLUTION)
 2 PLACES
 2.0mm [5/64in] HEX



ACCEPTS Ø50.8mm [2.00in] OPTICS
 Ø48.8mm [1.92in] CLEAR APERTURE
 SM2 (2.035-40) SERIES
 1 PCS SM2R INCLUDED



DRAWING PROJECTION			LBTEK			
NAME	DATE	VSS-MT-AM2T3				
DRAWN	ZZH	JAN./5th/26	MIRROR MOUN FOR Ø50.8mm OPTICS, VACUUM SERIES			
APPROVAL	YLI	JAN./5th/26	MATERIAL	WEIGHT	SCALE	REV
FOR INFORMATION ONLY NOT FOR MANUFACTURING PURPOSES			N/A	0.321 Kg	1:1	A