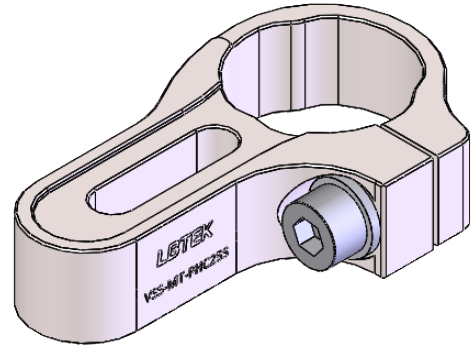
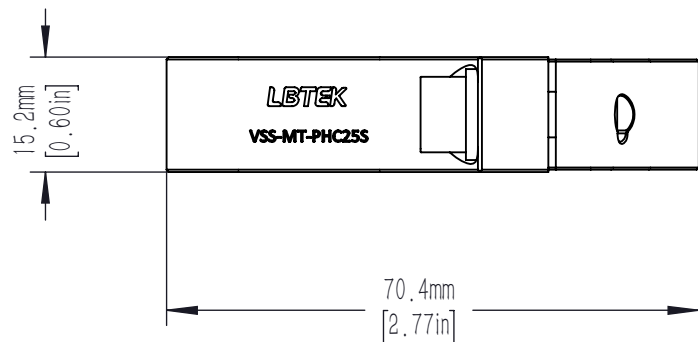
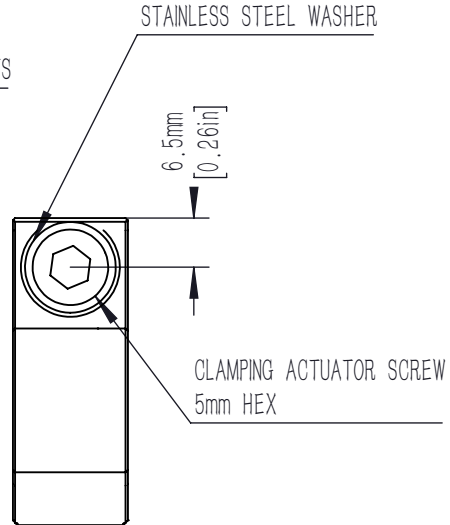
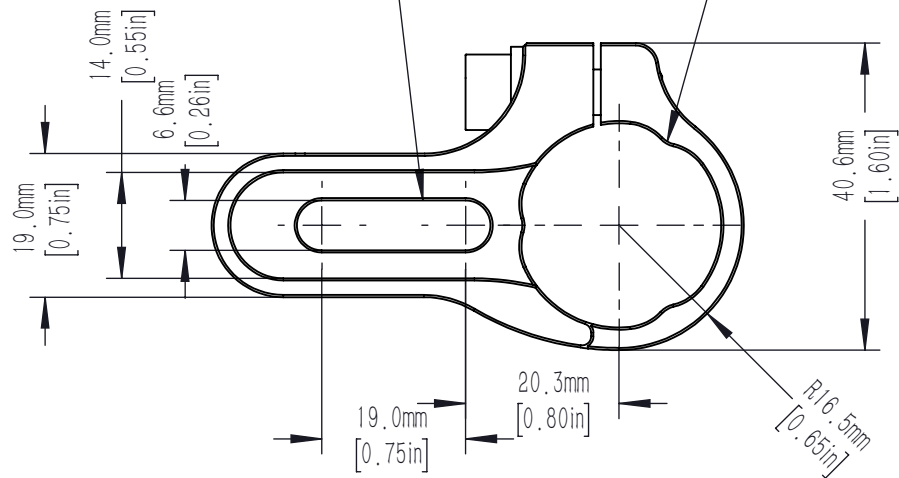


M6 CLEARANCE SLOT FOR FLAT WASHER AND CAP SCREW



DRAWING PROJECTION			LBTEK			
	NAME	DATE				
DRAWN	ZZH	MAR./3th/25	25mm POST M6 CLAMPING ARM, VACUUM SERIES			
APPROVAL	YLI	MAR./3th/25	MATERIAL	WEIGHT	SCALE	REV
FOR INFORMATION ONLY NOT FOR MANUFACTURING PURPOSES			N/A	0.118 Kg	1:1	A